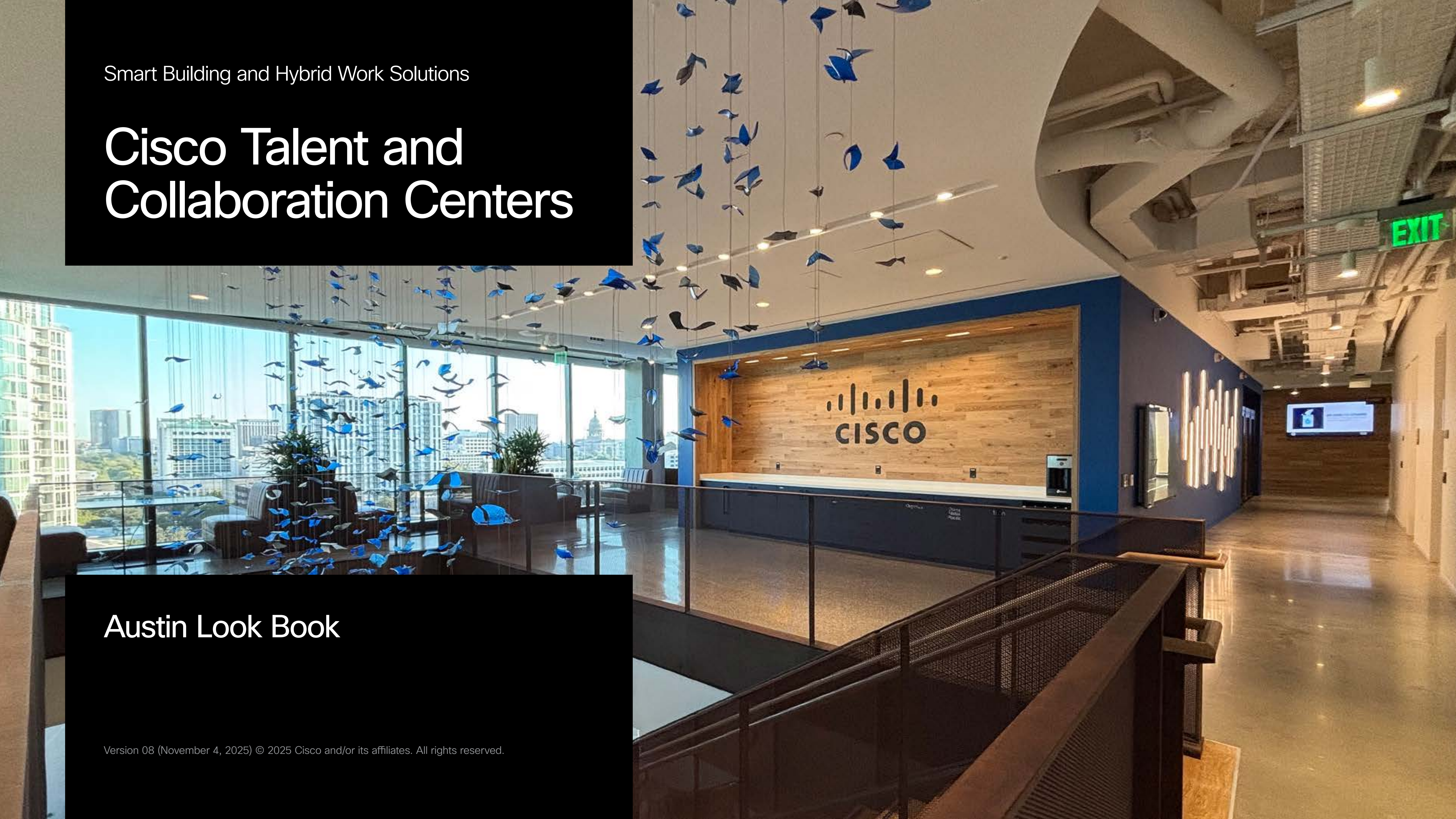


Smart Building and Hybrid Work Solutions

Cisco Talent and Collaboration Centers



Austin Look Book

Austin Look Book

Delivering a Future-proofed Workplace in Silicon Hills

Located on the west side of downtown and overlooking the Texas state capital, Cisco's newest office in Austin is a hub for our employees, customers, and partners to connect, collaborate, and innovate. Austin is a special city, known for the creativity of its vibrant arts and music scene, its strong sense of community, and its focus on well-being, and Cisco aims to embody those qualities in this new space.

Following successful projects in New York, Atlanta, London, Milan, Singapore, and Shanghai, the new Austin office reflects Cisco's strategy to create the world's most connected, sustainable, and collaborative workplaces.

Encompassing ~27,000 ft² (2,508 m²) and supporting over 1,400 employees, the office combines innovative technology, cutting-edge space design, and contemporary furnishings to create a workplace that is ready to "earn the commute" of employees.

Technology is the foundation on which this new work environment has been created. Leveraging Power over Ethernet (PoE) provided by the Cisco network, 100% of the lighting and shading is powered by low-voltage power, contributing to Cisco's sustainability and wellness goals. Cisco Wireless access points provide secure, intelligent, and reliable connectivity, ensuring employees and visitors can move effortlessly across the entire workspace.

Lastly, with a focus on creating an environment that fosters collaboration, learning, and socialization, 100% of the meeting spaces are video-enabled. When combined with other technology elements – such as Meraki cameras and sensors, and Cisco Spaces, all connected over the Cisco network – the Austin office is the next step in Cisco's journey to digitize its real estate portfolio.

▶ Key Design & Implementation Partners	3
▶ Enabling Technology	4
▶ Floor Plan	11
▶ Hot Desk	12
▶ Video Booth	14
▶ Quiet Room	15
▶ Traditional Huddle Room	18
▶ Casual Huddle Room	21
▶ Brainstorming Huddle Room	24
▶ Small Collaboration Room	27
▶ Small Collaboration Room – Video Centric	30
▶ Innovation Suite	33
▶ Medium Collaboration Room – Dual Display	36
▶ Large Collaboration Room	39
▶ Training Room	42
▶ Seminar	45
▶ Resources	49

The intent of this document is to highlight the details, components and partners used in the creation of this office. Any reference herein to any specific commercial products or service does not necessarily constitute or imply its endorsement or recommendation.

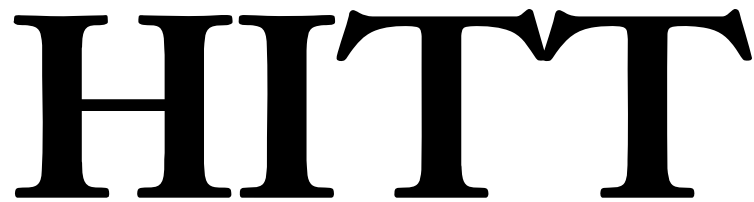
Key Design & Implementation Partners



Owner's Representative
& Project Management



Architectural
Design Services



Construction
Management



Collaboration Design
& Implementation Services



Smart Building Design
& Implementation Services



Interiors & Furnishings

Enabling Technology

Smart Building Components



molex



Low Voltage 90W PoE lighting across entire floor and environmental sensors (temperature, humidity, TVoC, PM 1.0/2.5/10, and CO²) in the enclosed spaces

Mecho



Intelligent automated shading platform

CISCO Meraki



MT15 Environmental Sensors (temperature, humidity, TVoC, PM2.5 and CO²) in the open plan areas

mht

Low Voltage 90W Power over Ethernet (PoE) powered actuators for height adjustable desks

DBS
Digital Building Solutions

Smart Building Design
& Implementation Services

Enabling Technology

Smart Cameras

CISCO



High-definition Indoor Security Cameras

Providing local storage of video and advanced object detection to support people counting.



Cisco Meraki MV22 Cloud Managed Security Camera



Enabling Technology

Cisco Smart Workspaces



Workplace visualization tool, leveraging data sources across all technology platforms to help employees make better decisions within the work environment.

AST15
AST15-13

Tuesday
October 7
5:21 PM

How do I use this?

30 Meeting Rooms on this floor

28 Available 2 Booked 0 Occupied 0 No Data

Find available Meeting Rooms

Room Finder

Temperature: 72°F Humidity: 47%

On This Floor
Select to find on map:

- Rest Rooms
- Cafeteria
- Help Desk
- Stairs

Search Re-Center Map

Powered by: SPACES, WebEx, Catalyst, Meraki

Collaboration space availability using presence and people counting data from Cisco collaboration devices

Indoor air quality from wired sensors in lighting platform, Cisco collaboration devices in collaboration spaces/individual spaces

Enabling Technology

Networking Elements



The Cisco Catalyst 90-watt UPOE+ 9300X stackable switching platform provides connectivity and power for both IT elements (wireless access points, collaboration devices, digital signage, smart cameras, etc.) and OT systems (lighting, shading and environmental sensors).

Cisco Catalyst 9300X Switch



The Cisco Wireless 9178 Series Access Point WiFi 7 Wireless Access Points (APs) provide network connectivity for employees and guests. These cloud-managed devices power the next generation of wireless experiences and are designed to revolutionize connectivity and digital experiences.

Offering unprecedented speeds, enhanced security, and resilient connectivity, the Cisco Wireless 9178 Series is ideal for high-density environments.

Cisco Wireless 9178i Access Points



Enabling Technology

Cisco Video Devices

CISCO

Cisco Room Bar

Integrated video conferencing system for small rooms



Cisco Room Bar Pro

Dual-camera integrated video conferencing system for medium rooms



Cisco Room Kit EQ

An AI-powered collaboration solution for large collaboration rooms and boardrooms



Cisco Room Kit Pro

A powerful and flexible room device bundle for very large rooms and custom AV integration scenarios.



Cisco Board Pro G2

Interactive collaboration board available in 55" and 75" screen sizes



Cisco Room Kit EQX

Powerful dual-screen collaboration system with integrated sound system



Cisco Desk Pro

Studio-quality desktop collaboration with a 27" screen, used in Quiet Rooms



Cisco Desk

All-in-one desktop collaboration device with a 24" screen, used on hot desks



Cisco Desk Mini

Desktop collaboration system with a 15" screen, used in video booths and banquettes



Cisco Ceiling Microphone Pro

Intelligent beamforming mic, easy-to-deploy and gives great room coverage



Cisco Table Microphone Pro

Advanced beamforming table microphones.



Cisco Room Vision PTZ

Premium pan-tilt-zoom



Enabling Technology

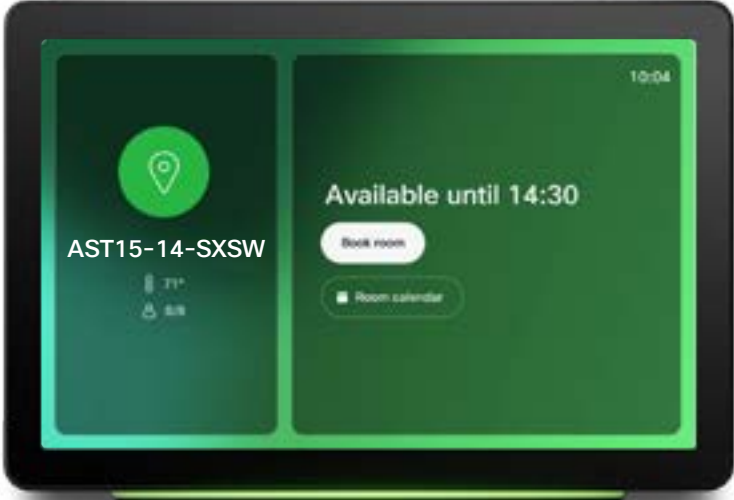
Room Signage



Bookable Rooms

Cisco Room Navigator for Wall – through its integration with the O365 Calendar – enables seamless room booking, calendar view, meeting information, and meeting extension with a few taps on the touch screen.

Available



Booked (not yet occupied)



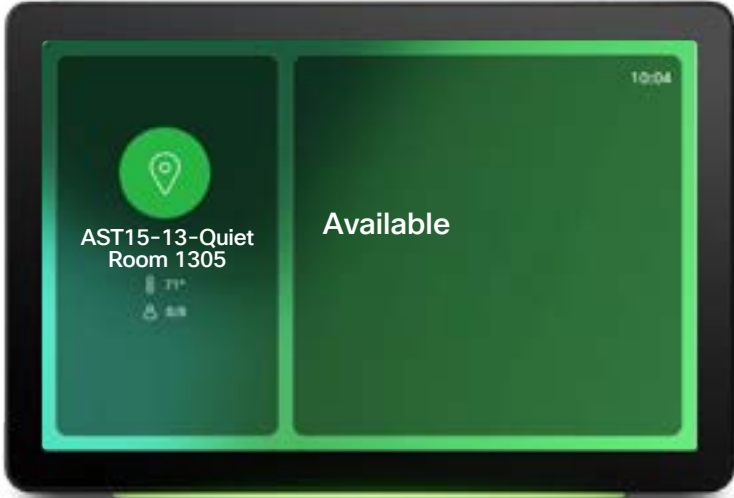
Occupied



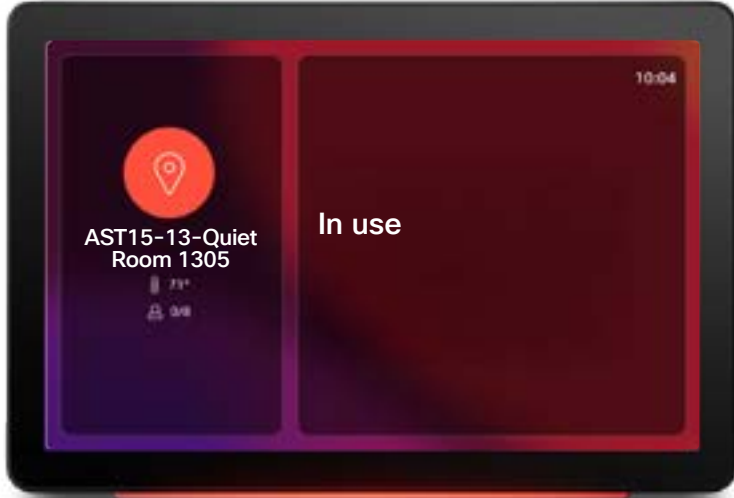
Adhoc Rooms

Using the presence and people counting capabilities of the Cisco Collaboration Devices, the Cisco Room Navigator changes the LED light and display based on occupancy (green for available and red for occupied).

Available



Occupied

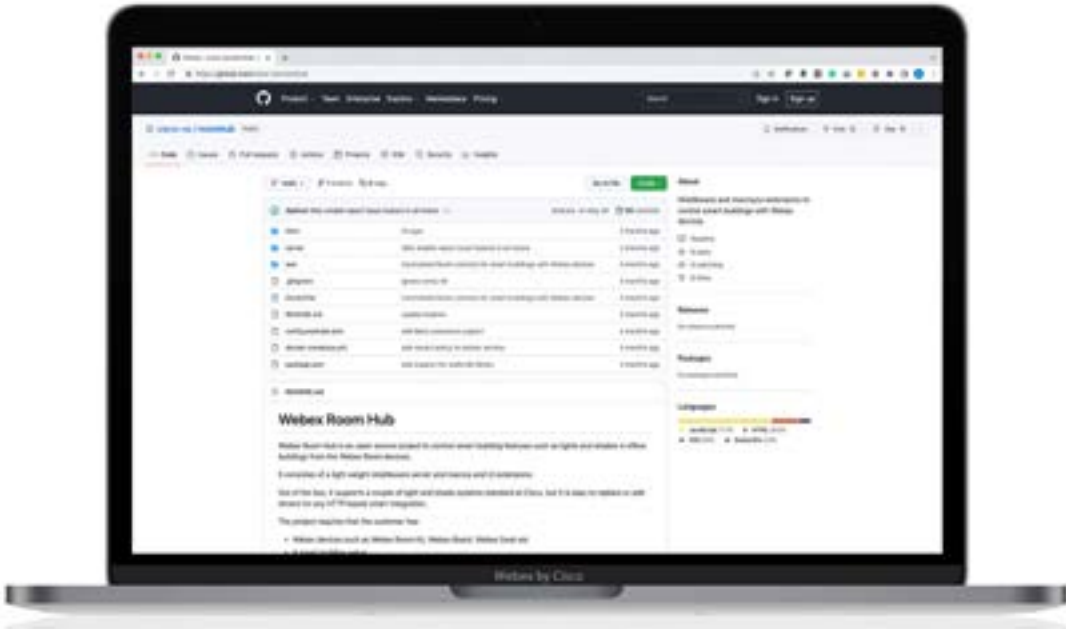


Enabling Technology

Building System Integration

Leveraging the open APIs available from the smart building systems and the UI Extension feature within the Cisco collaboration devices, custom buttons have been installed on the Cisco Board Pros, Cisco Desk/Desk Pros, and the Cisco Room Navigators to control lights and shades in the collaboration spaces.

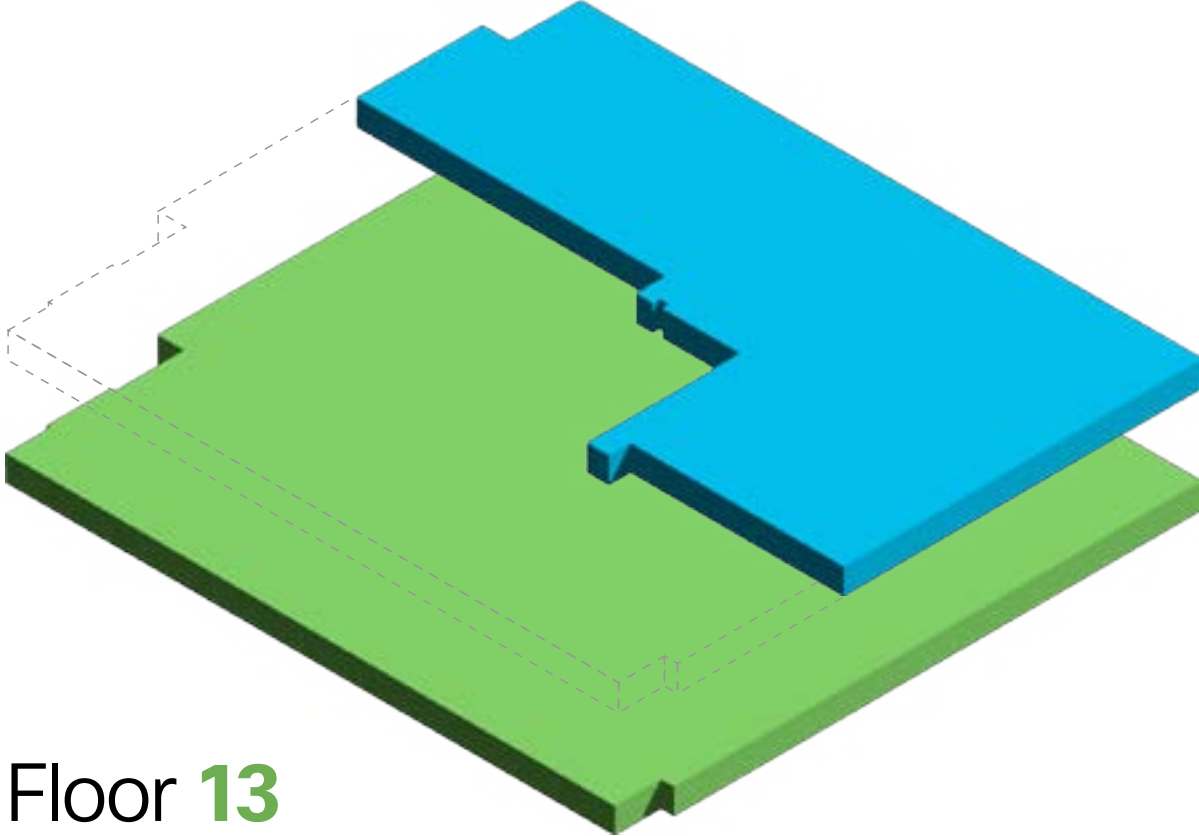
The integrations leverage the openness of the smart building APIs and the Cisco collaboration devices, and do not require using any third-party control systems (Crestron, AMX, etc.). They are now available on GitHub for download and use.



Floor Plan

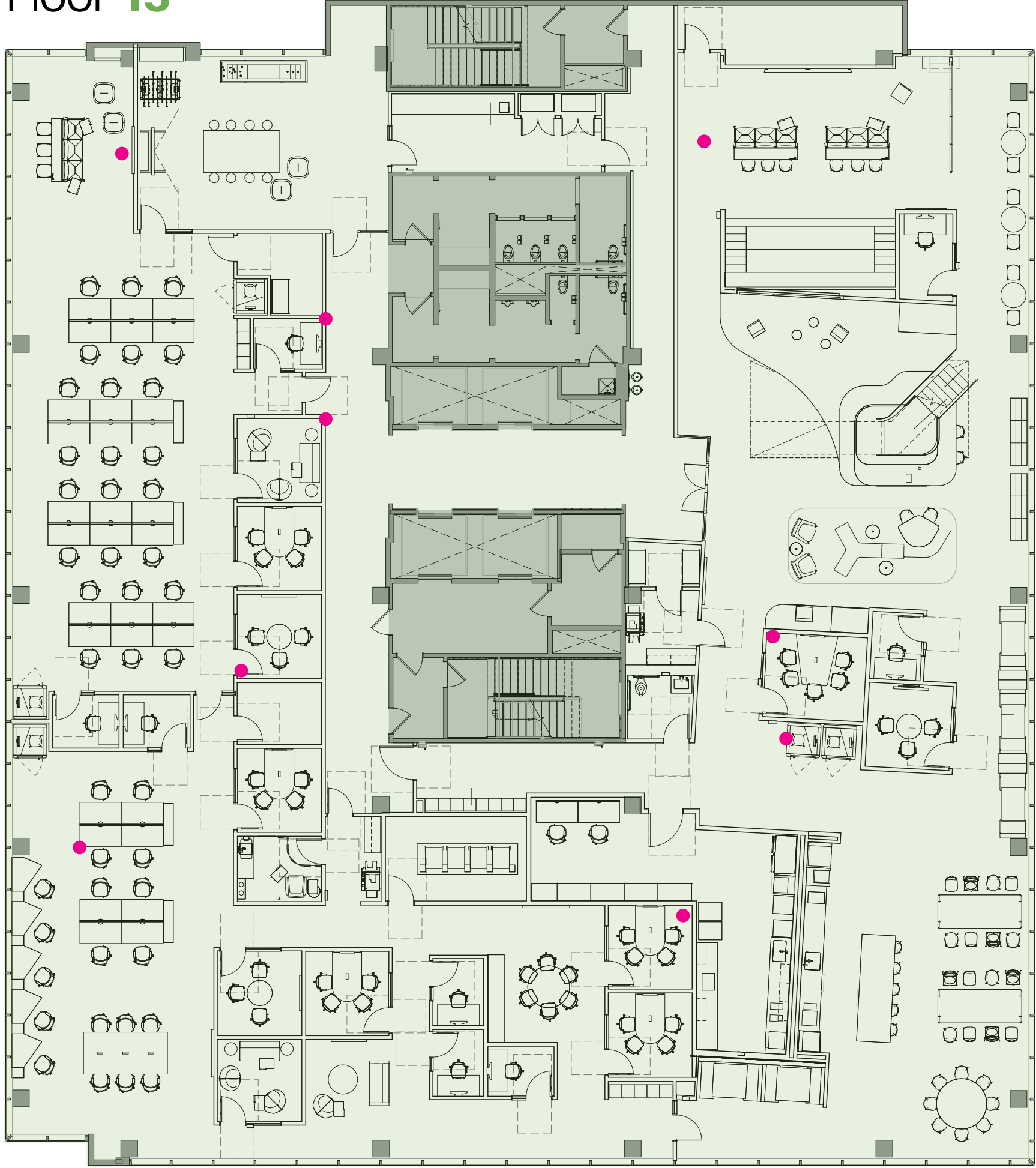
CISCO

Floor 14

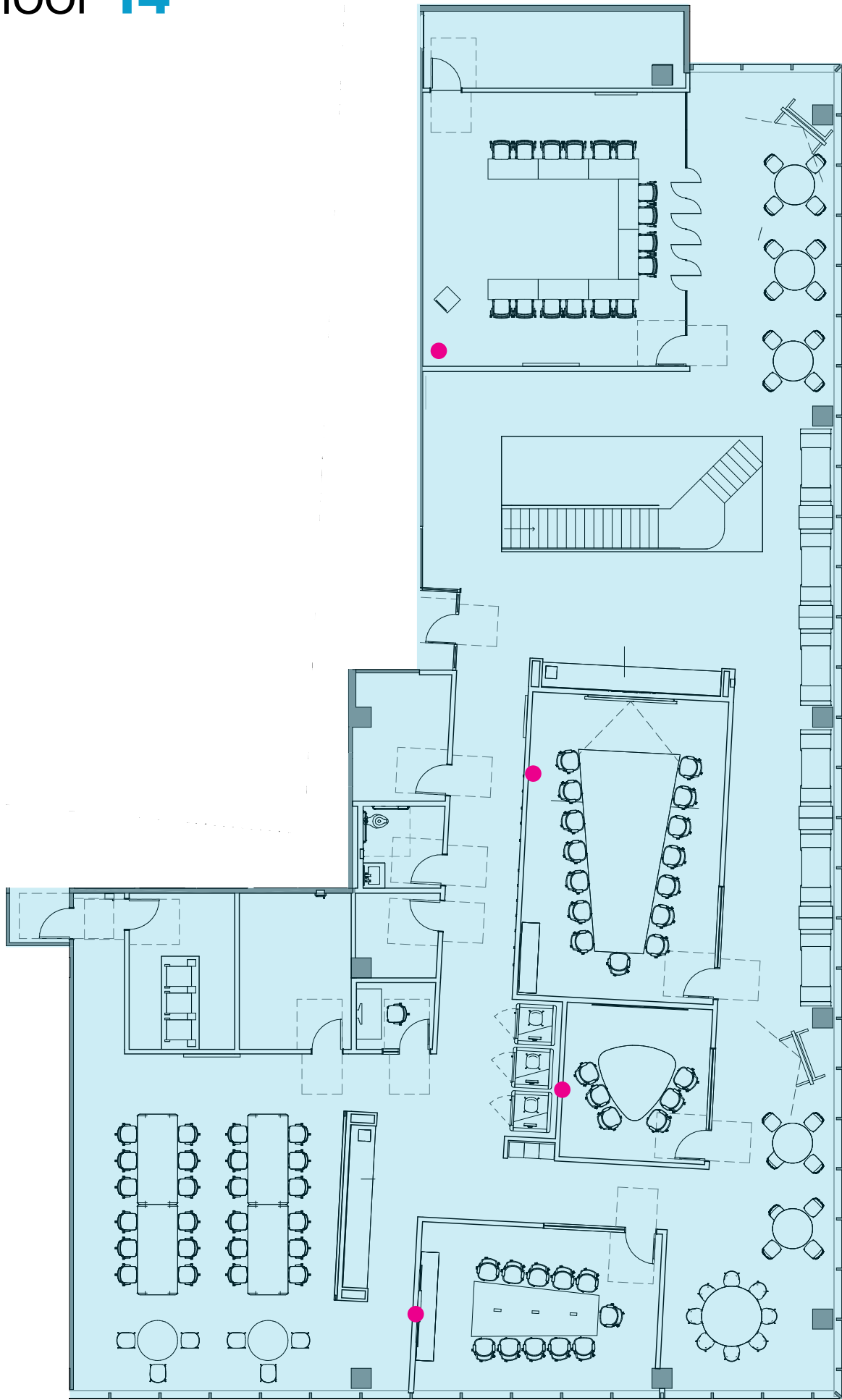


Floor 13

Floor 13



Floor 14



Hot Desk

Overview



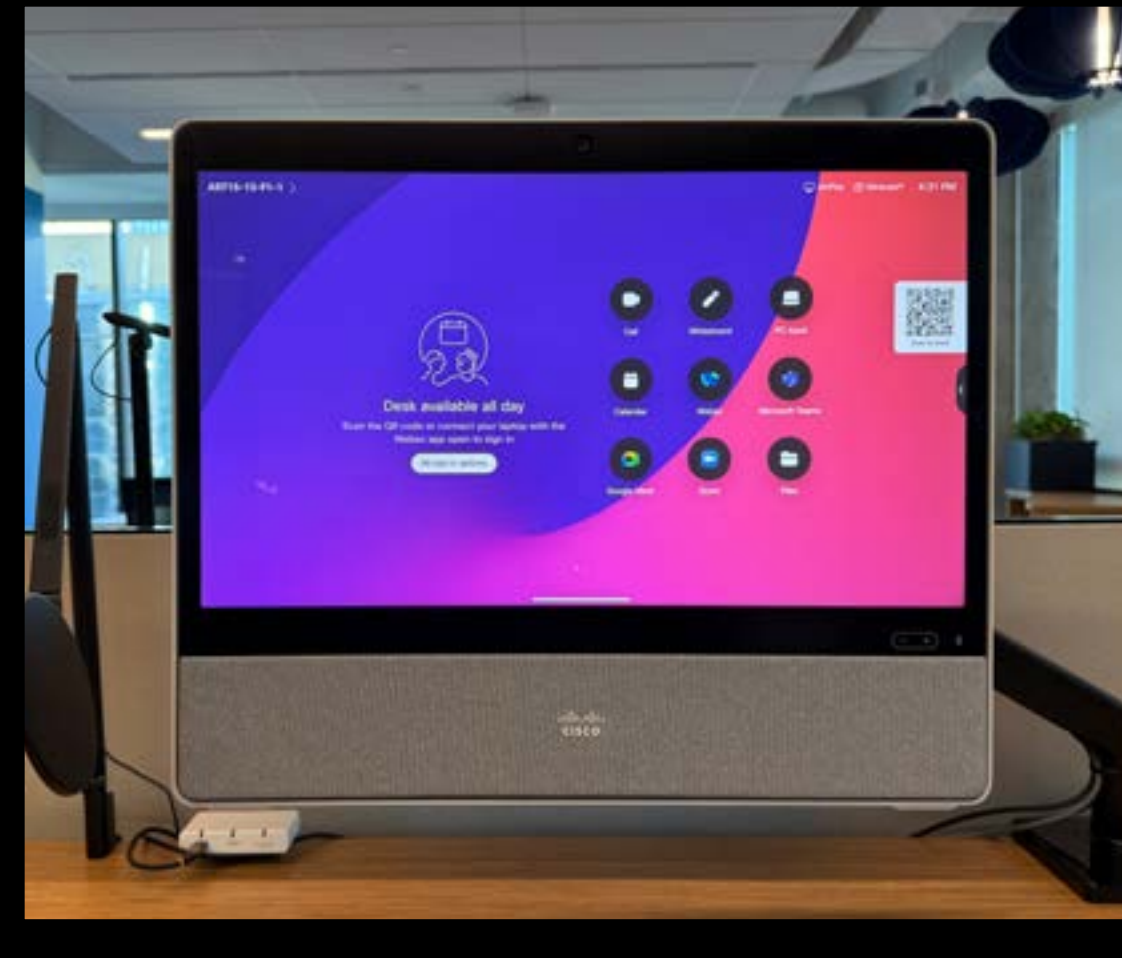
Providing areas for people to do focus work or passively participate in a remote meeting is critical in the hybrid work environment, and the hot desk is the ideal space for these activities.

In Austin, 100% of the hot desks in the Hybrid Work Zone are low-voltage and powered by the network. This includes powering the height-adjustable controls and motor, the task light, USB-C convenience outlets for laptop and mobile device charging, and the Cisco Desk device.

With a simple scan of the QR code, employees can sign in and book the desk for a few hours or for the rest of the day. Hot desking turns the Cisco Desk into the employee's personal meeting device, enabling meeting notifications, One Button to Push, and whiteboarding. The device can also be used as a secondary display.

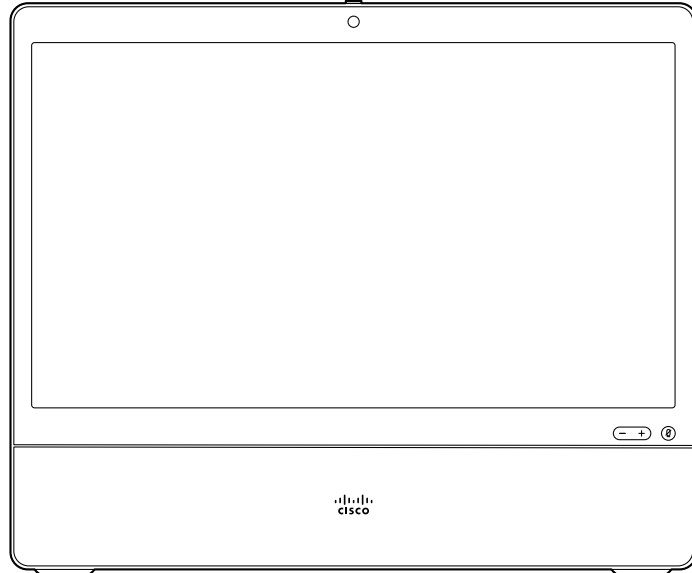
Features

- Cisco Desk
- Teknion Navigate Height-Adjustable Table
- Humanscale Nova Task Light
- Humanscale M.8 Monitor Arm
- Humanscale Liberty Ocean Task Chair
- MHT PoE Power Module
- Planet Tech PoE Splitter



Hot Desk Components

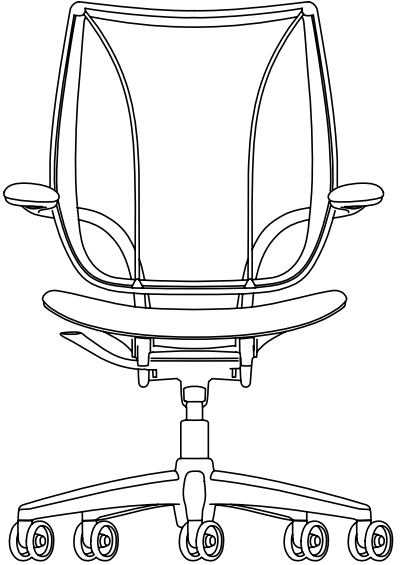
Cisco Desk



CISCO

CISCO

Humanscale Liberty Ocean Task Chair

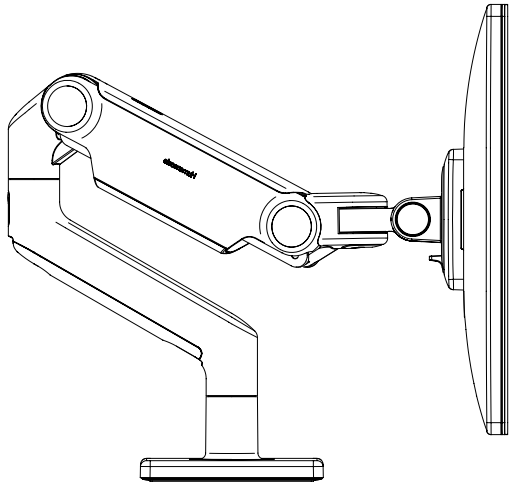


- Armrest/Armpad
Fixed Duron Arms
- Frame Color
Silver with Silver Trim
- Back Mesh
Pinstripe (Color: White)
- Seat Textile
Fourtis (Color: Granite Box Stitching)

Humanscale M.8 Monitor Arm



- Mount
Clamp
- Color
Black with Black Trim



Humanscale Nova Task Light



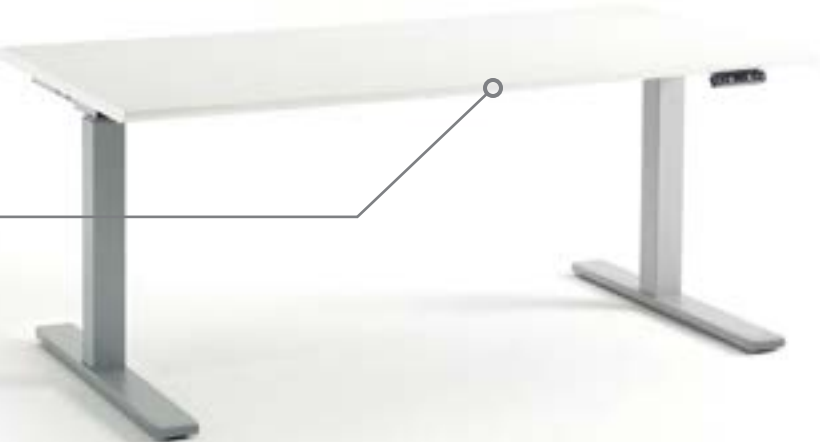
- Color Temperature
3000 K (Warm White)
- Plug
PoE Plug
- Mount
Clamp
- Color
Jet Black

Humanscale

Teknion Navigate Height Adjustable Table with PoE conversion kit

PoE Conversion
Kit by: **mht**

Actuators and
desk controls by:
LINAK



teknion

Planet Tech PoE Splitter



POE-173S Single-Port 10/100/1000Mbps 802.3bt PoE++ Splitter
The POE-173S 802.3bt PoE splitter supports passive 10/100/1000Mbps Ethernet connection and distance up to 100 meters.

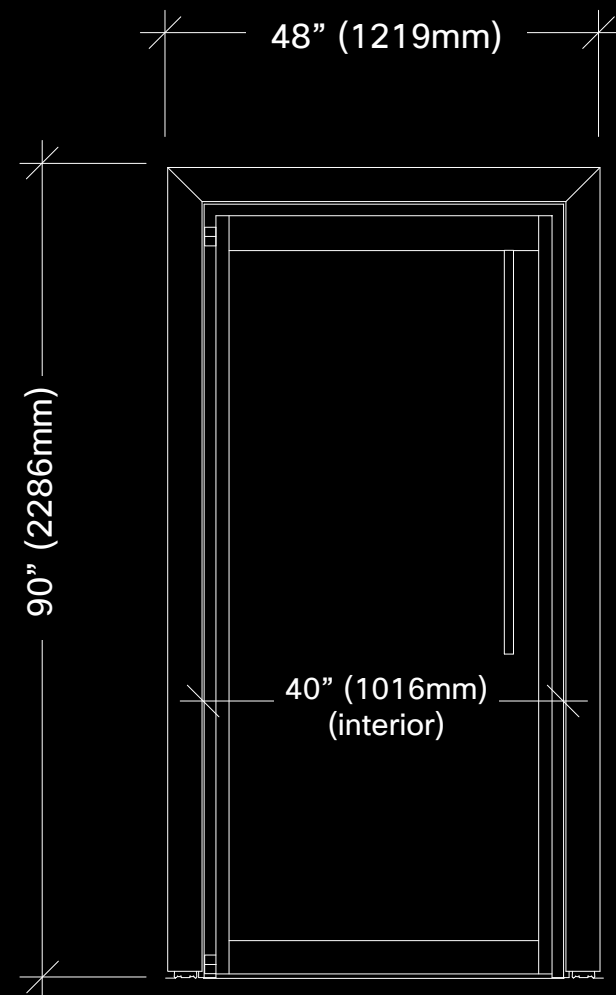
PLANET

Video Booth



Ideal for short-duration privacy from the open plan, these free-standing spaces are equipped with a Cisco Desk Mini to enable video, desktop sharing, and whiteboarding.

Teknion Tek Booth



Cisco
Desk Mini



Quiet Room

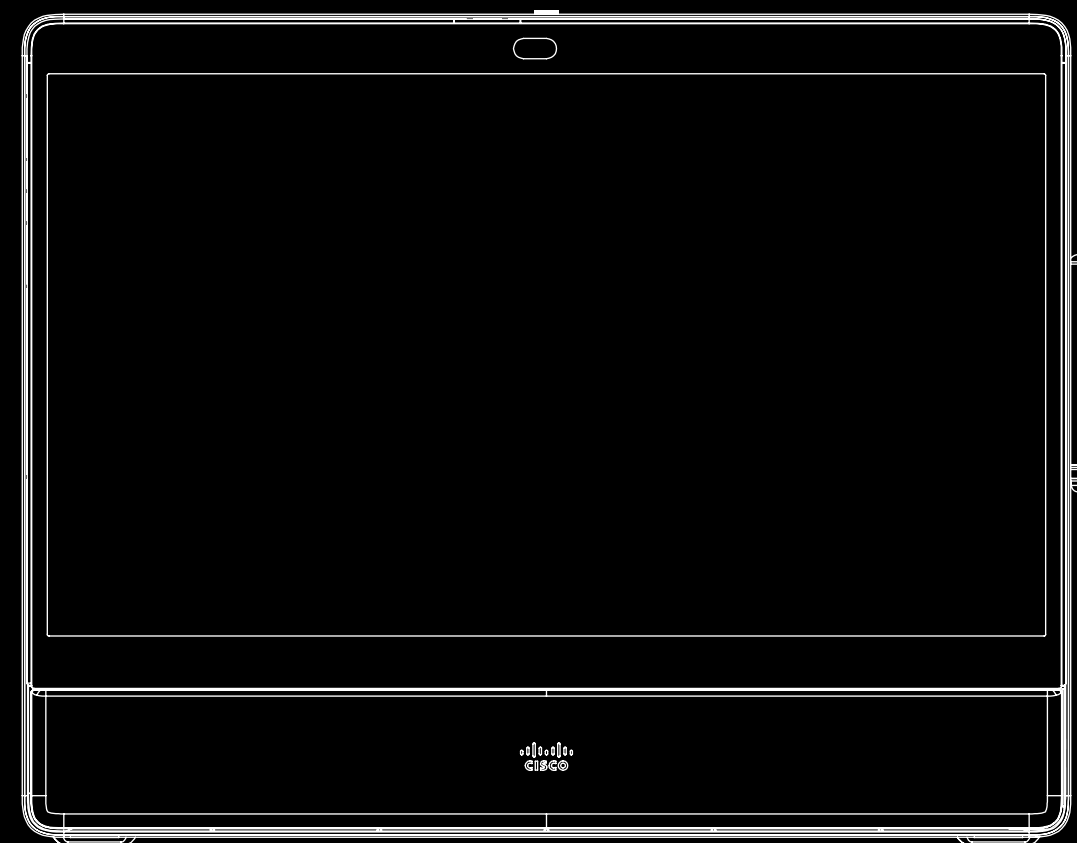
Overview



The one-person quiet rooms are a great space when employees and/or visitors need privacy to take a video call, carry out focused work, or simply need a bit more screen space.

Features

- Cisco Desk Pro
- Teknion Navigate Height-Adjustable Table
- Vitra ID Mesh Chair

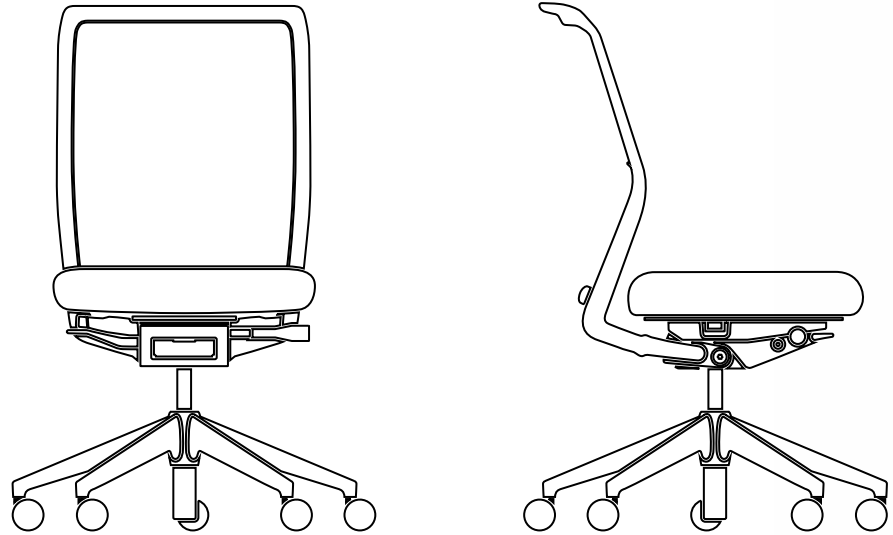


Quiet Room Components

CISCO



Vitra ID Mesh Chair



Seat Upholstery
Plano Nero
Black Diamond Mesh

Base
Basic Dark

vitra.

Cisco Desk Pro



Teknion Navigate
Height-Adjustable Table



teknion

CISCO

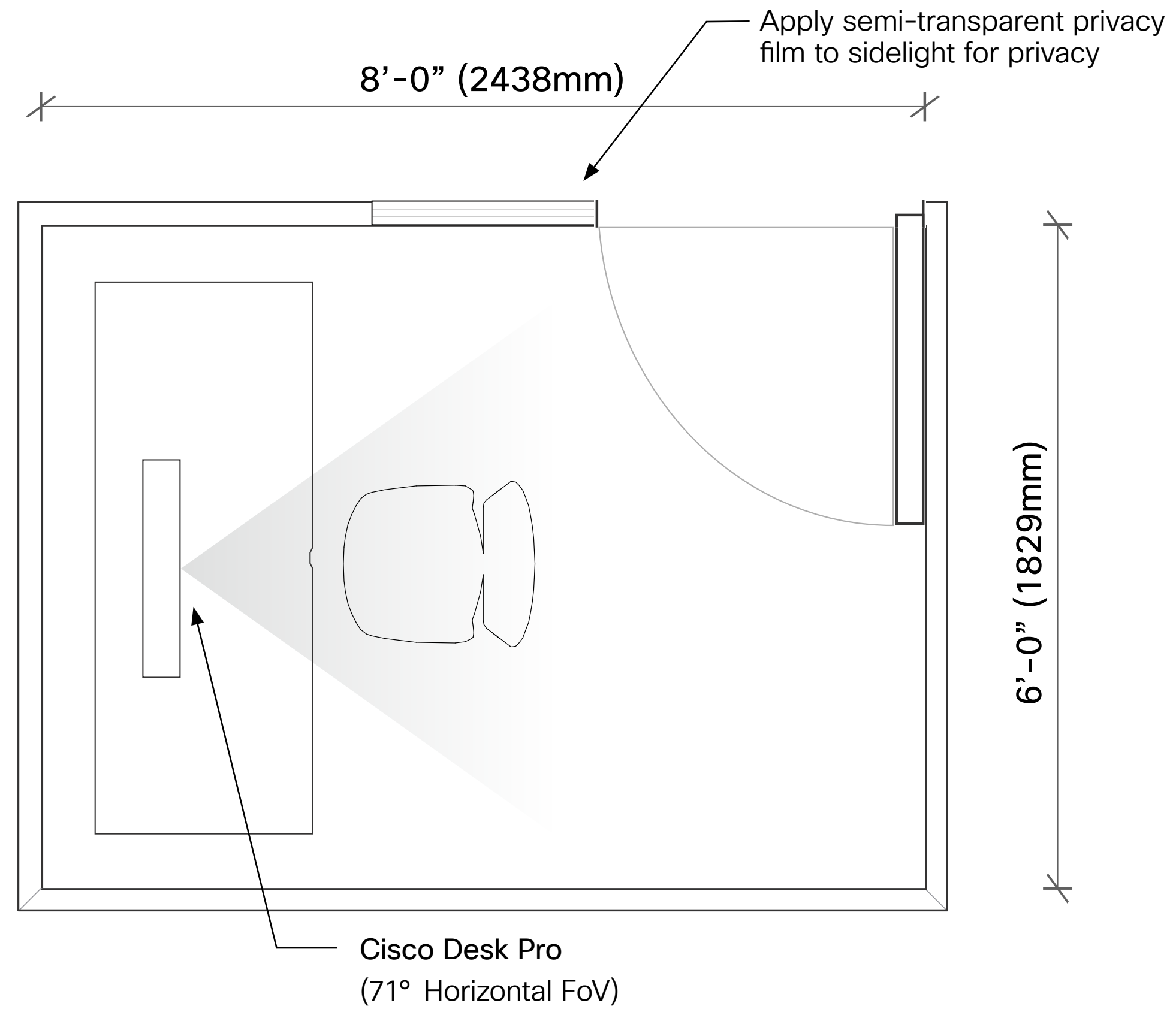
Quiet Room

Room Layout



CISCO

One-Person Quiet Room



Note: Optimal size is nominal 8'x6' (2438mm x 1829mm), with a 5' (1524mm) table, 1 person room can go to 7'x5' (2134mm x 1524mm) with a 4' (1291mm) table if needed

Traditional Huddle Room

Overview



Making it easy for small groups to come together to share information, brainstorm, and solve problems is absolutely critical. In the new Austin office, we've replaced personal offices with an abundance of huddle rooms and smaller collaboration spaces, each designed for this exact purpose. All of these spaces are video-enabled, ensuring the right resources can come together, regardless of where they are.

The Traditional Huddle Room is a superb space for small-group collaboration, especially when you need to bring in an important remote participant. Wireless sharing lets you display content effortlessly in both local and virtual meetings.

Features

- Cisco Room Bar
- Single 50" display (LG, Panasonic, Samsung, or Sony)
- Nienkamper Gateway Table (D Shaped)
- Vitra ID Mesh Chair



Traditional Huddle Room

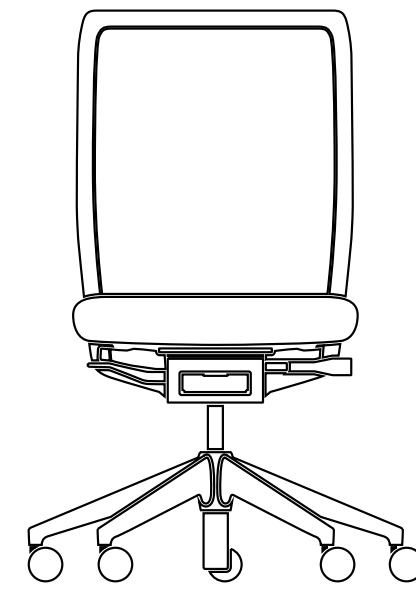
Components

CISCO

PAGE
19 / 49



Vitra ID Mesh Chair



Seat Upholstery
Plano Nero
Black Diamond Mesh



Base
Basic Dark

vitra.

Nienkamper Gateway Table (D-Shape)

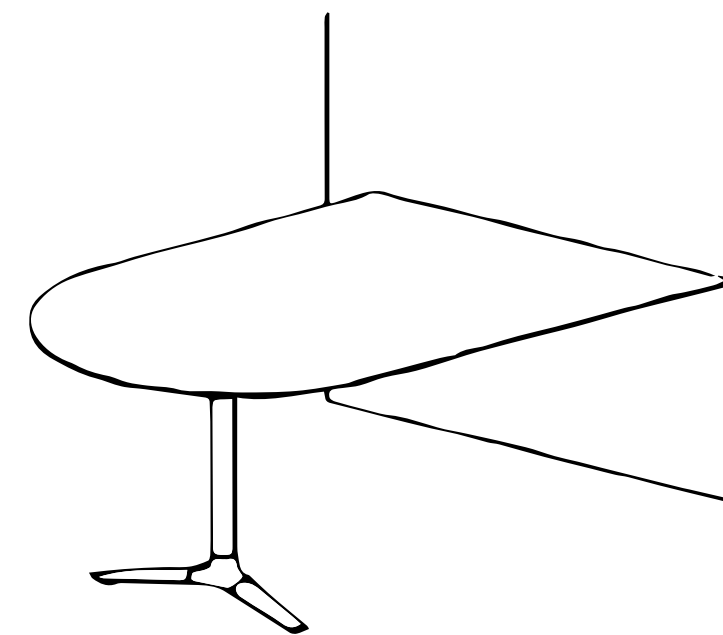
Laminate top
Taper edge on 3 sides and self edge on wall mounted side, New Age Oak finish

Base
Black Jack

60" W X 28.5" H X 42" D
(1524mm W X 724mm H X 1067mm D)



Power Forum finish
Black



Cisco Room Bar

CISCO



Single 50" Display

(LG, Panasonic, Samsung, or Sony)

LG Panasonic SAMSUNG SONY



nienkamper

Traditional Huddle Room

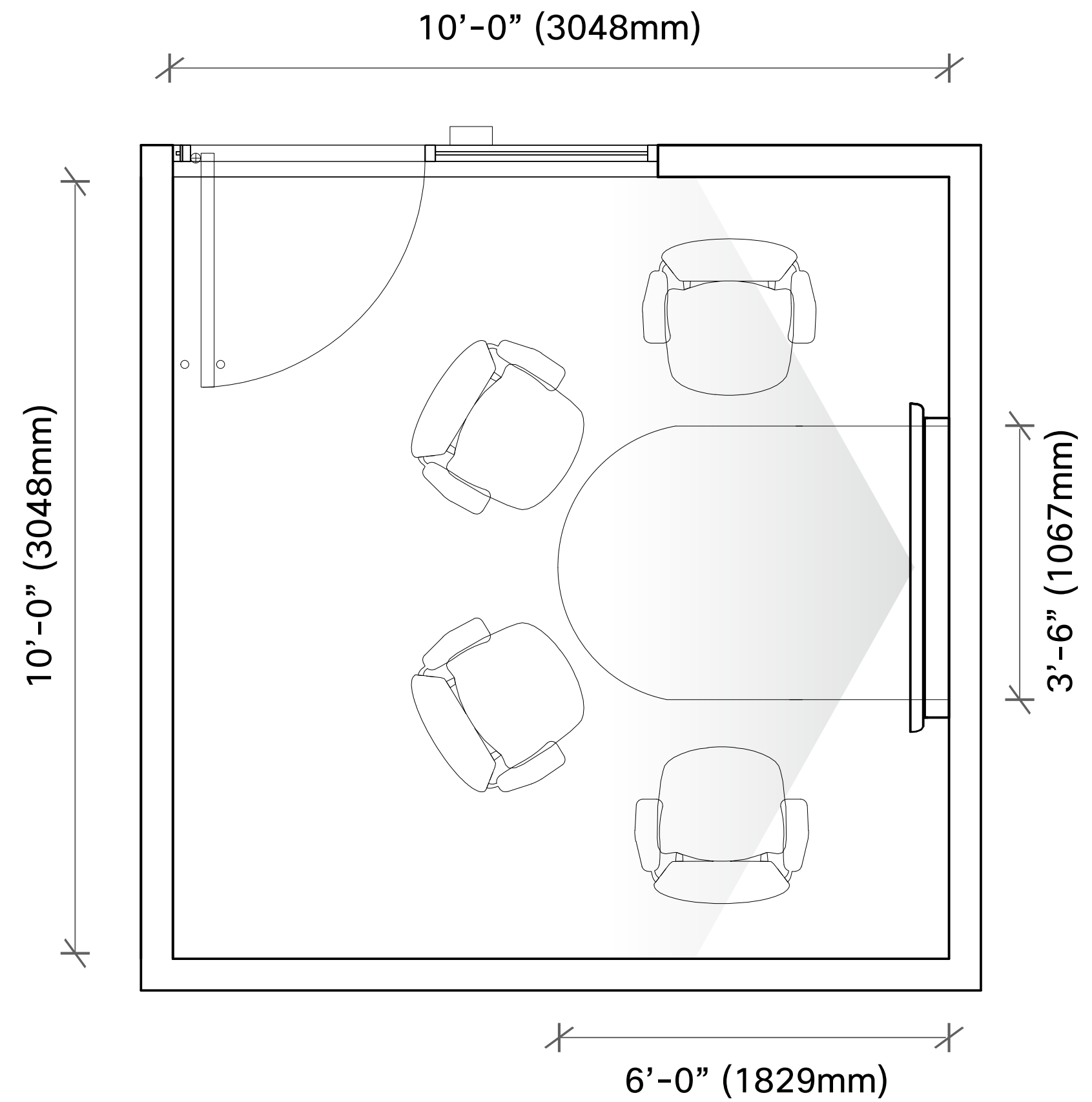
Room Layout



CISCO

10' x 10' (3048mm x 3048mm)

Optimal (4-Chairs)



Note: Floor plan depicts suggested nominal size.

Casual Huddle Room Overview

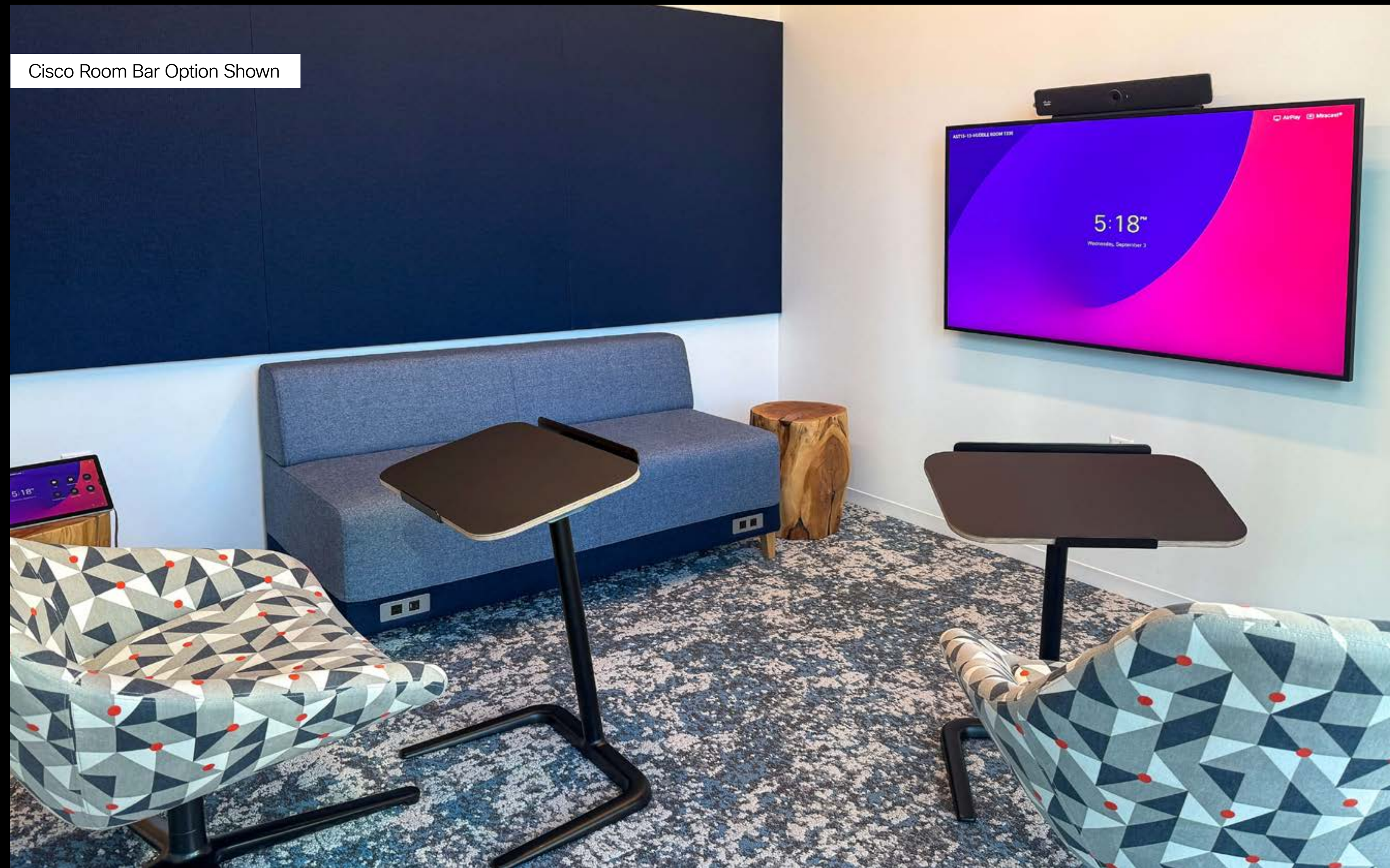


The Casual Huddle is explicitly designed for informal meetings with colleagues, even when some of those colleagues are remote.

The soft seat is lightweight and highly flexible, allowing the space to adapt to any and all needs. The space can be deployed as an enclosed room as well as in an open plan. In addition, there are two technology options: a Cisco Room Bar for a video-centric experience or a Cisco Board Pro if co-creation is required.

Features

- Cisco Room Bar with a single 55" display (LG, Panasonic, Samsung, or Sony) or Cisco Board Pro 55 on a Salamander EZ Touch Wall Mount
- Stylex Two-seater Sofa
- Senator / Alliemuir Open Lounge Chair
- West Elm Wood Stump Table
- Teknion Cosi Laptop Table



Casual Huddle Room

Components

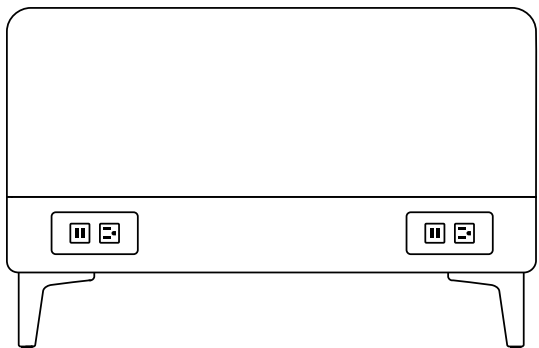
Option 1



Cisco Room Bar
CISCO

Single 55" Display
LG Panasonic SAMSUNG SONY

Stylex Share Sofa Fully Upholstered



(2) Integrated Power Ports,
Fabric
Seat/Back - Maharam Beck Interlude, Arms/
Accent Band - Maharam Beck Inkpad
Legs
White Oak
56" W x 28"D x 29" H
(1422m W x 711mm D x 737mm H)

STYLEX



West Elm Stump Side Table

12"-15" diameter x 19" height
(305mm-381mm diameter x 483mm height)

west elm

Option 2



Cisco Board Pro 55
CISCO

**Salamander
EZ Touch
Adjustable
Mount**
SALAMANDER
DESIGNS

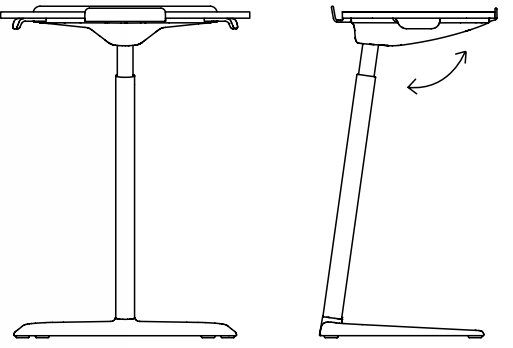
Senator/ Allermuir Open Lounge Chair



Base Finish
Black
Upholstery
Kirk by Design
Puzzle Burnt Orange

Allermuir

Teknion Cosi Laptop Table



Worksurface
Black
Base
Black
22"W x 13.4"D x 25"-33"H
(559mm W x 340mm D x 635-838mm H)
Front Edge Lip, Device Stand with Wire
Slot, Tilt Control and Height Adjustable

teknion

Casual Huddle Room

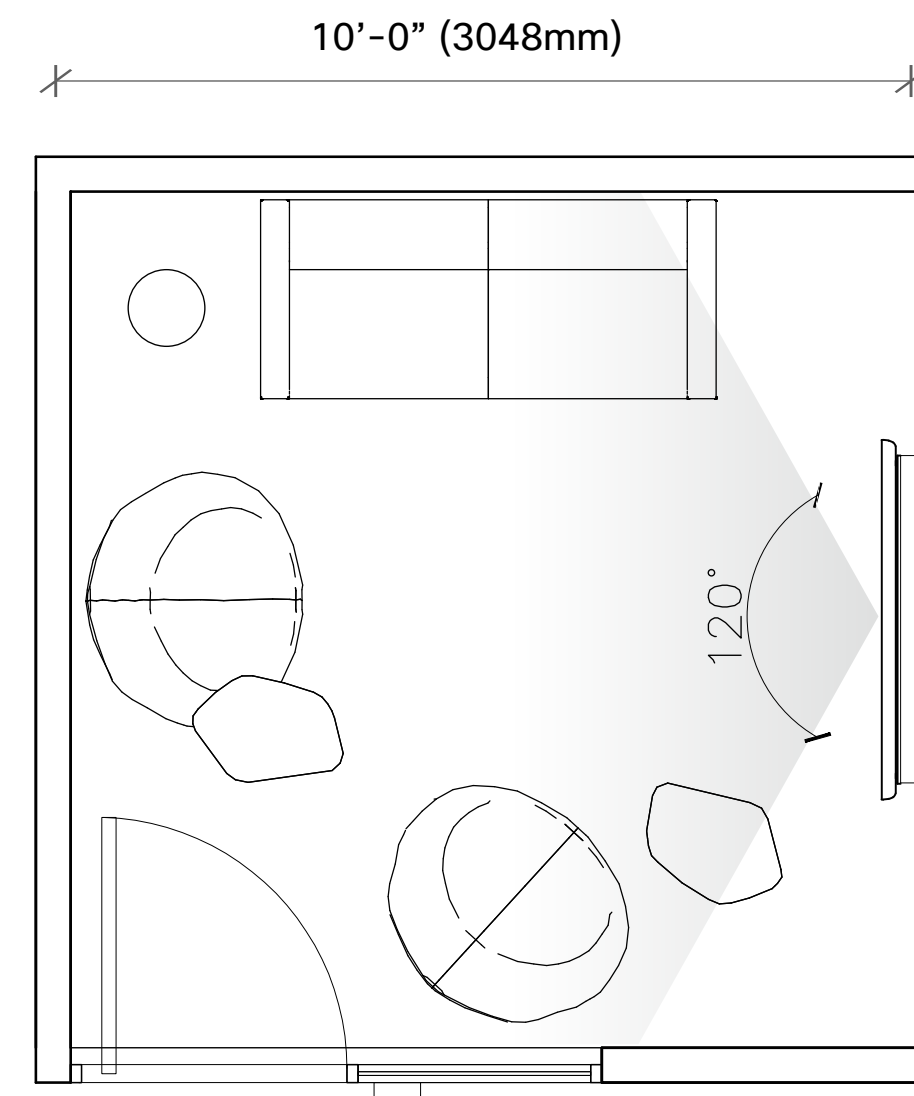
Room Layout



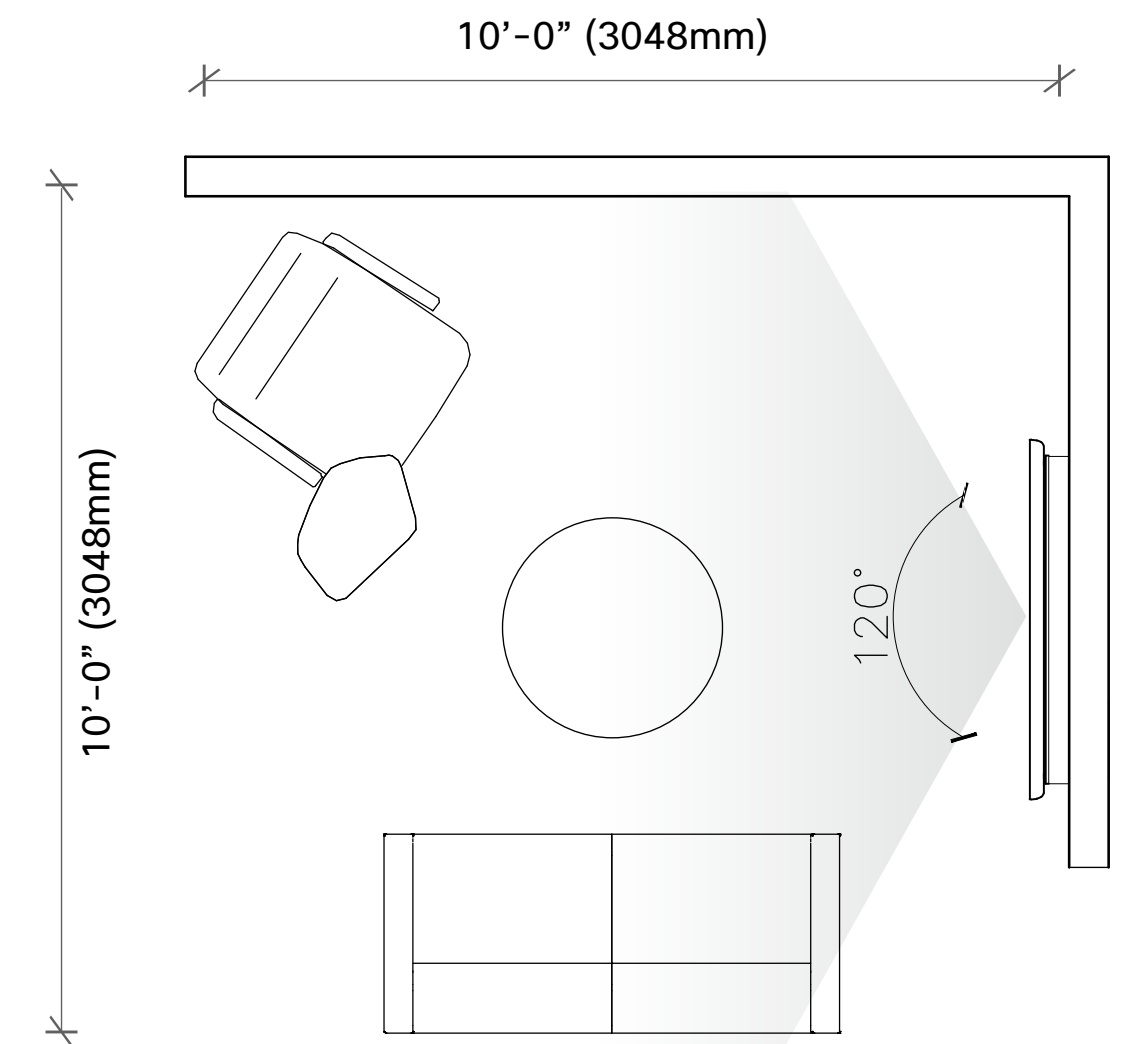
Cisco Board Pro 55 Option Shown (Open Plan)

CISCO

Enclosed Room Option



Open Plan Option



Note: Floor plan depicts suggested nominal size.

Brainstorming Huddle Room

Overview

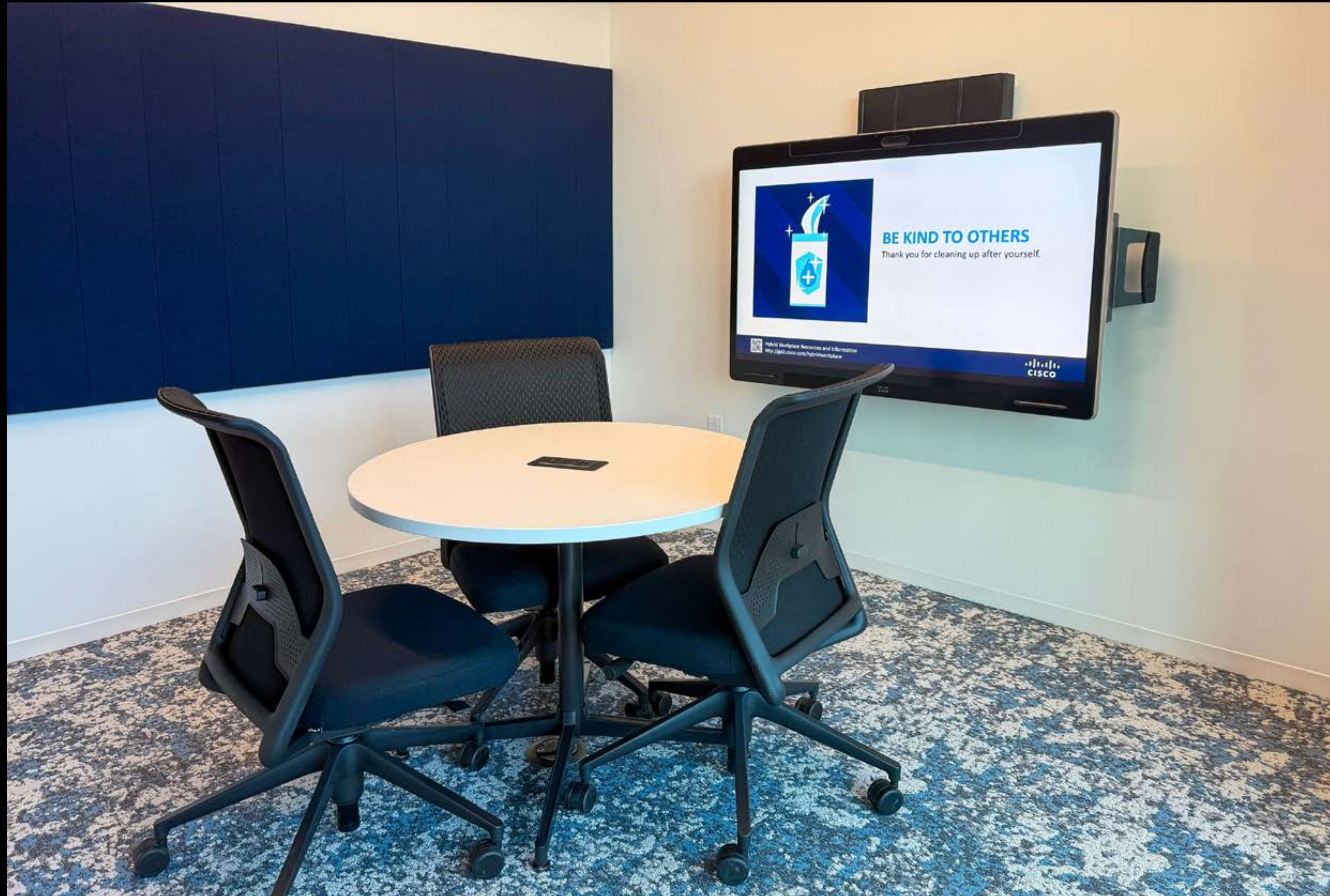


A perfect space for an ad-hoc brainstorming session or when you want to co-create with a colleague on an important project.

The Salamander EZ Touch Wall Mount makes the space entirely flexible, allowing you to raise the Cisco Board Pro 55 when whiteboarding or lower it when you want to take a video call while seated at the table.

Features

- Cisco Board Pro 55
- Haworth Jive Table
- Vitra ID Mesh Chair
- Salamander EZ Touch Wall Mount



Brainstorming Huddle Room

Components

CISCO

Vitra ID Mesh Chair

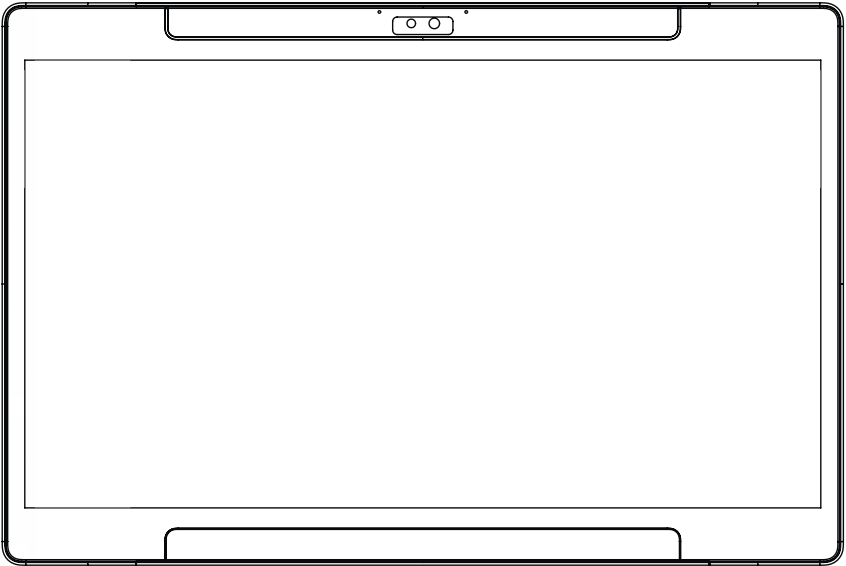


Seat Upholstery
Plano Nero
Black Diamond Mesh

Base
Basic Dark

vitra.

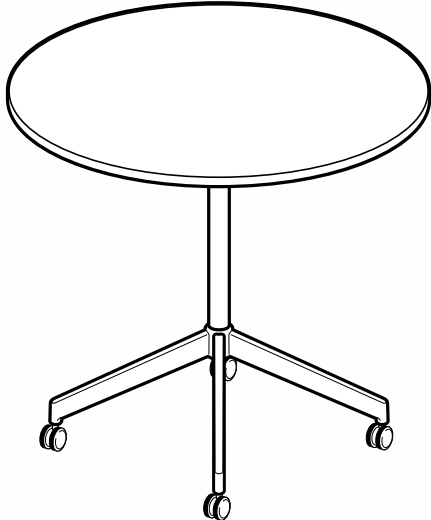
Cisco Board Pro 55



CISCO

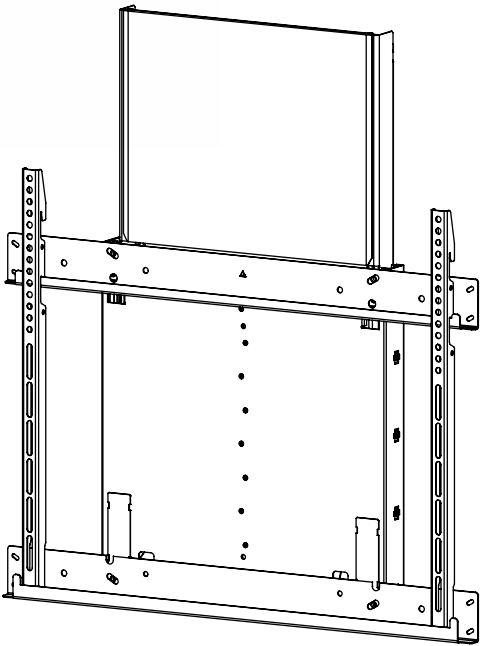
Haworth Jive Table

Top
White Laminate - Linen
Base Finish
Black/Charcoal H-8J & G-8J
Base
4-Star X-Base
Power
Flush Mount with Dual USB-C (45W) and (2) Receptacles
36" Diameter x 34"H
(914mm Diameter x 864mm H)



HAWORTH

Salamander EZTouch Mount



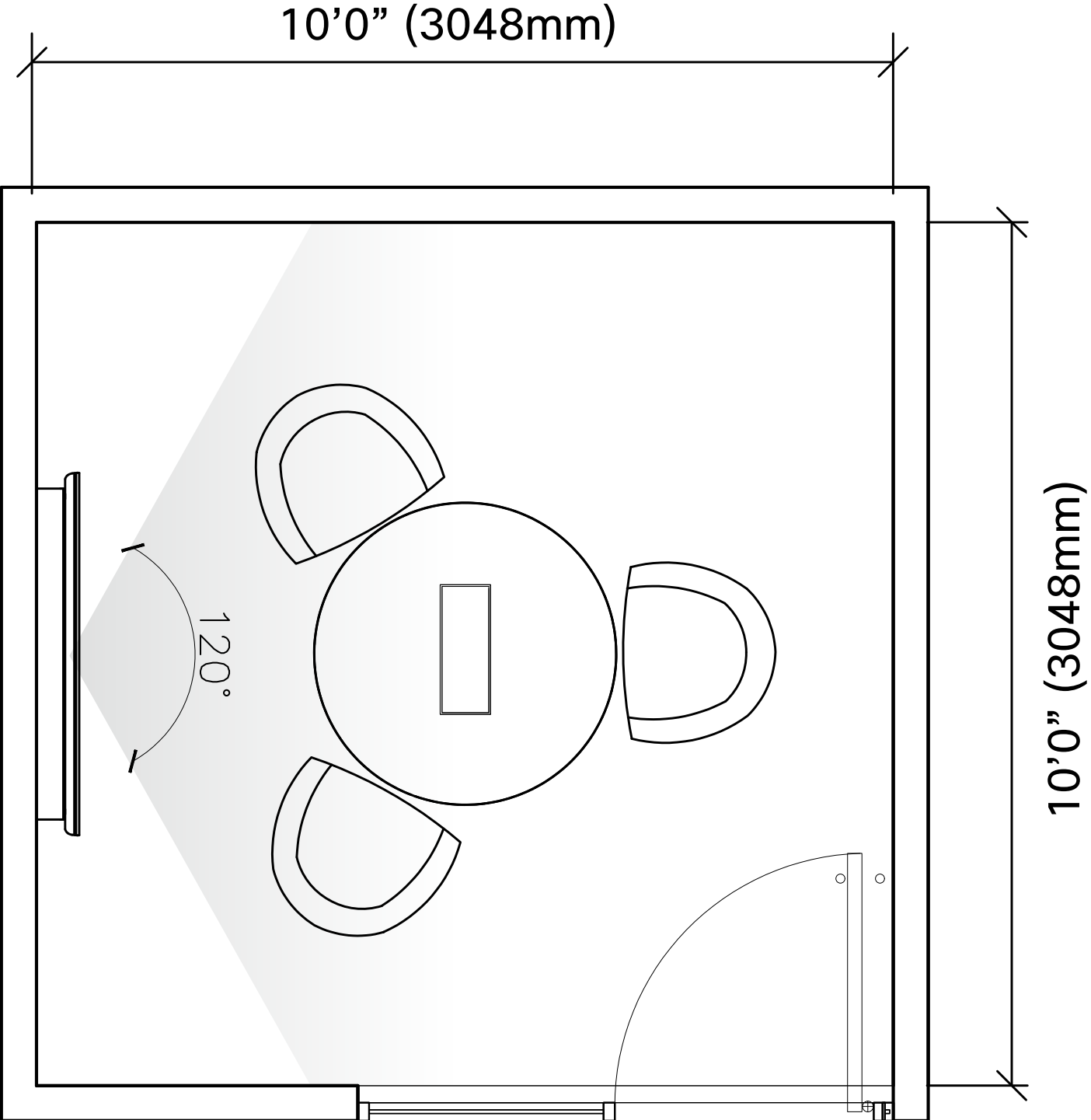
**SALAMANDER
DESIGNS**

Brainstorming Huddle Room

Room Layout



CISCO



Note: Floor plan depicts suggested nominal size.

Small Collaboration Room

Overview



Small groups get work done. These small collaboration rooms are great spaces to bring in-person and remote colleagues together. The 120° field of view of the Cisco Room Bar ensures everyone is in view.

Features

- Cisco Room Bar
- Single 55" Display (LG, Panasonic, Samsung, or Sony)
- Neinkamper Gateway Table
- Humanscale Freedom Task Chair



Small Collaboration Room

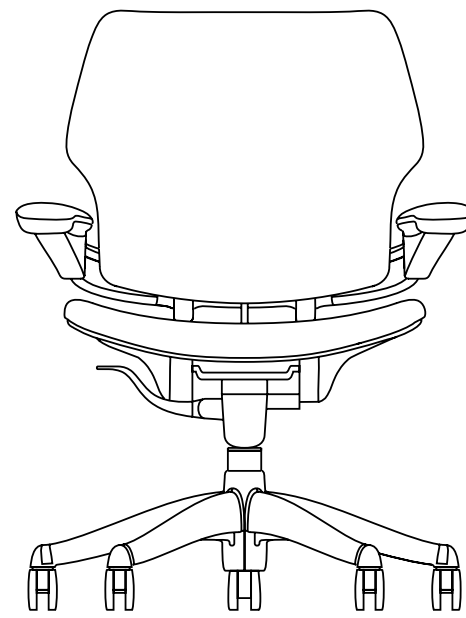
Components

CISCO

PAGE
28 / 49



Humanscale Freedom Task Chair



Armrest/Armpad
Standard Duron Arms - Black

Frame Color
Polished aluminum with Graphite Trim

Seat Textile
Ticino (Chrome-Free Leather)
Color: Charcoal

Humanscale

Nienkamper Gateway TB-09

Table with Trapezoid Top, (1) simple forum with wood trough-6 ports

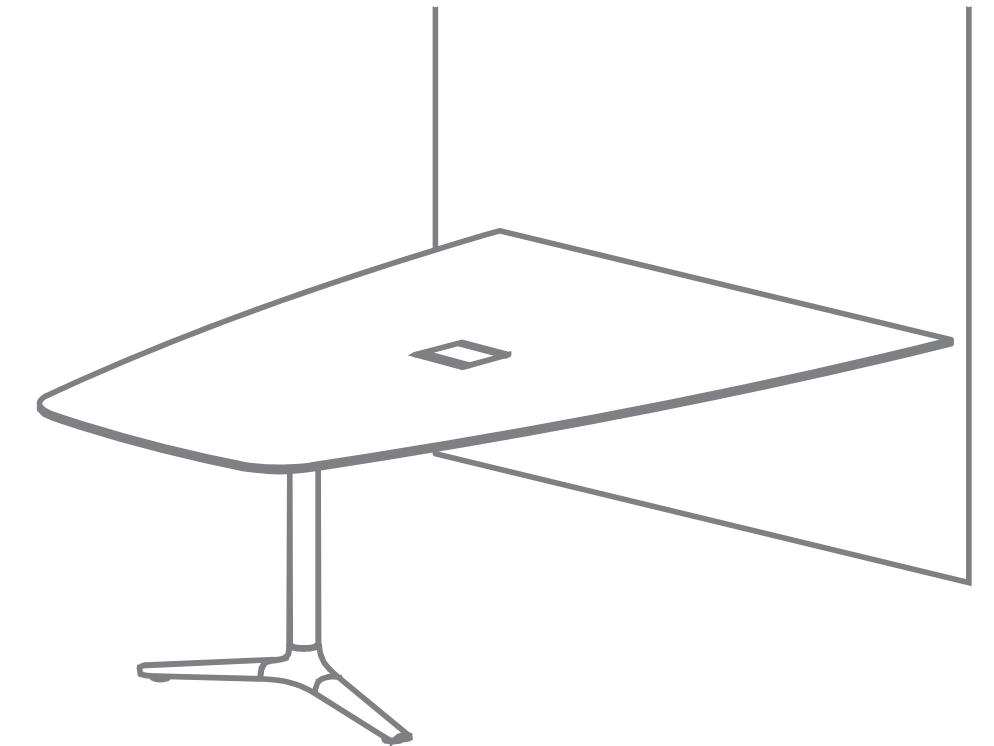
Wood finish top
#F18 Natural White Oak

Leg finish
Black

72" W x 28-1/2" H x 32"/55" D
(1829mm W x 724mm H x 813/1397mm D)



Power Forum finish
Black



Cisco Room Bar

CISCO



Single 55" display

(LG, Panasonic, Samsung, or Sony)

LG Panasonic SAMSUNG SONY



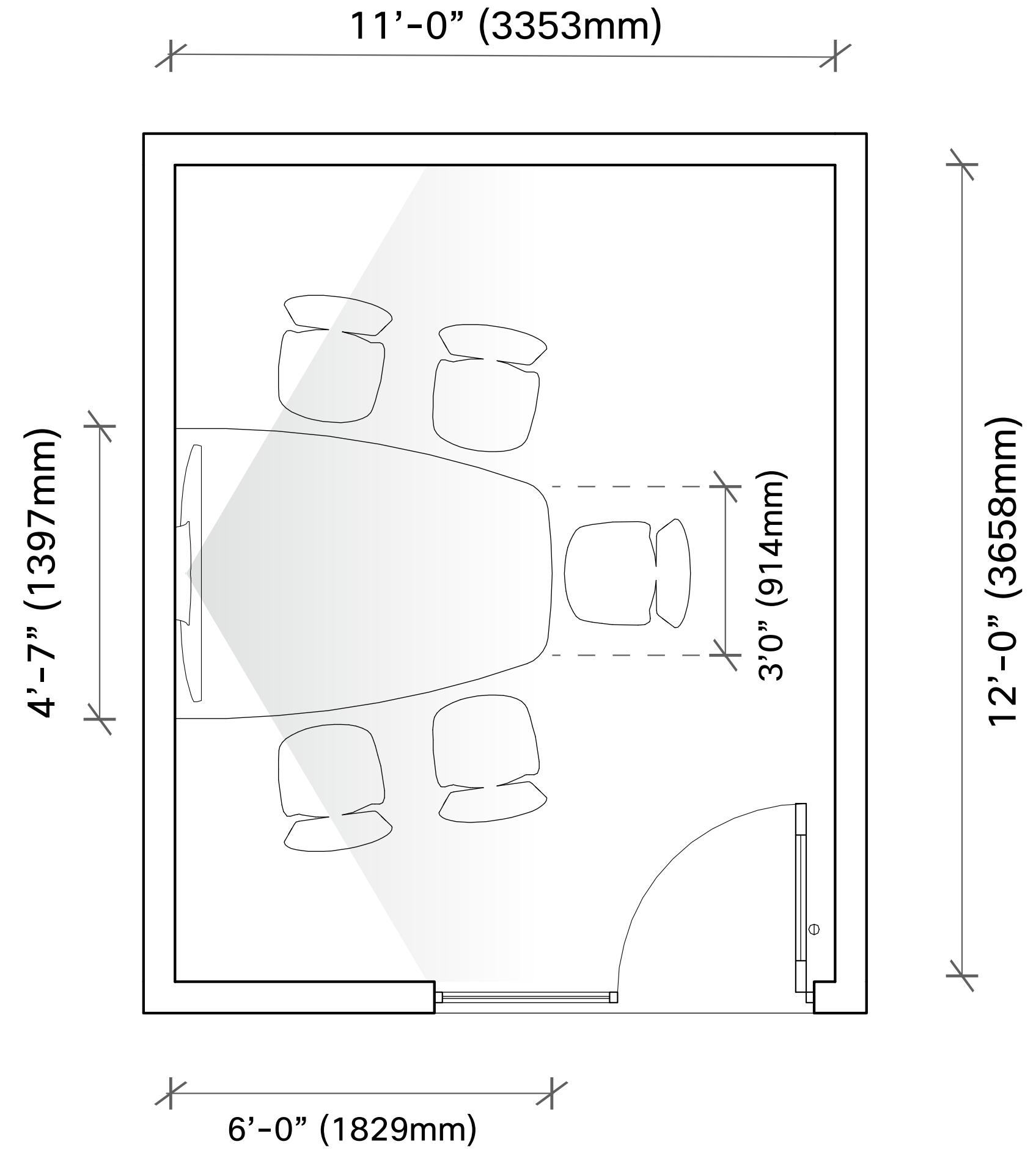
nienkämper

Small Collaboration Room

Room Layout



CISCO



Note: Floor plan depicts suggested nominal size.

Small Collaboration Room – Video Centric Overview



The video-centric collaboration room is ideal for decision-making meetings.

The horizontally oriented, guitar-pick-shaped table creates the effect of everyone sitting around a table. A Cisco Room Bar Pro, with its 112° field of view, along with dual 55” displays, ensures that remote participants, as well as content, can be seen by all.

Features

- Cisco Room Bar Pro with dual 65” displays
- Cisco Room Navigator for Table
- Neinkamper Custom ”Guitar Pick” Shaped Table
- Humanscale Freedom Task Chairs



Small Collaboration Room - Video Centric

Components

Cisco Room Bar Pro



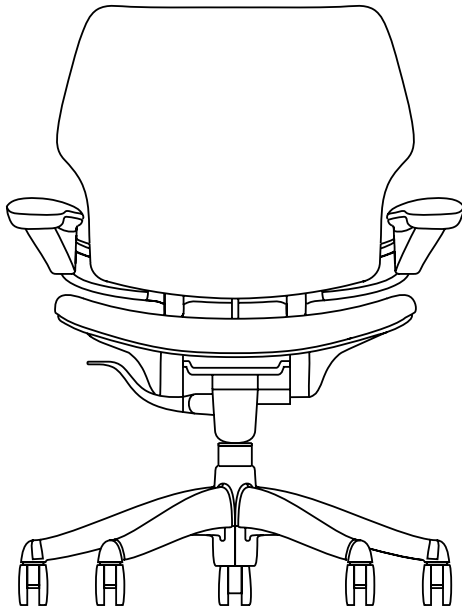
Cisco Room Navigator for Table



CISCO



Humanscale Freedom Task Chair



Armrest/Armpad
Standard Duron Arms - Black
Frame Color
Polished aluminum with Graphite Trim
Seat Textile
Ticino (Chrome-Free Leather)
Color: Charcoal

CISCO

Humanscale

Dual 65" Displays

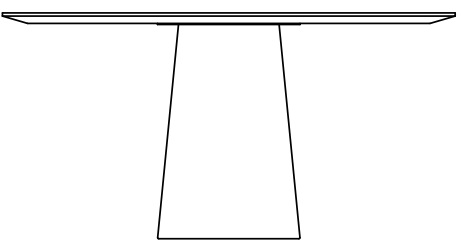
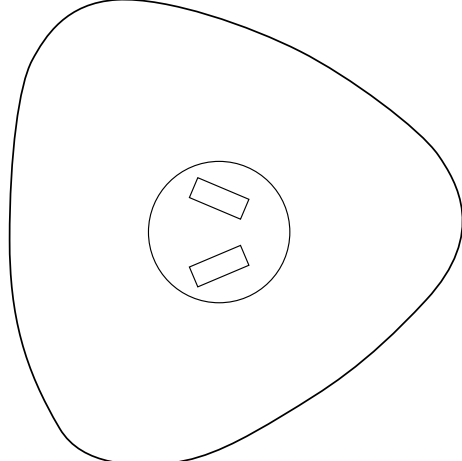
(LG, Panasonic, Samsung, or Sony)



Nienkamper Cone Table

with Powder Coat Base - Guitar Pick Shape

Finish
New Age Oak
Features
Tapered edge, Top in 2 sections
Base
42" Custom Steel Cone base in Nienkamper black powder coat finish with access panel
90"L x 87-15/32"D x 28-1/2" H
(2286mmL x 2210mmD x 724mmH)



LG Panasonic SAMSUNG SONY

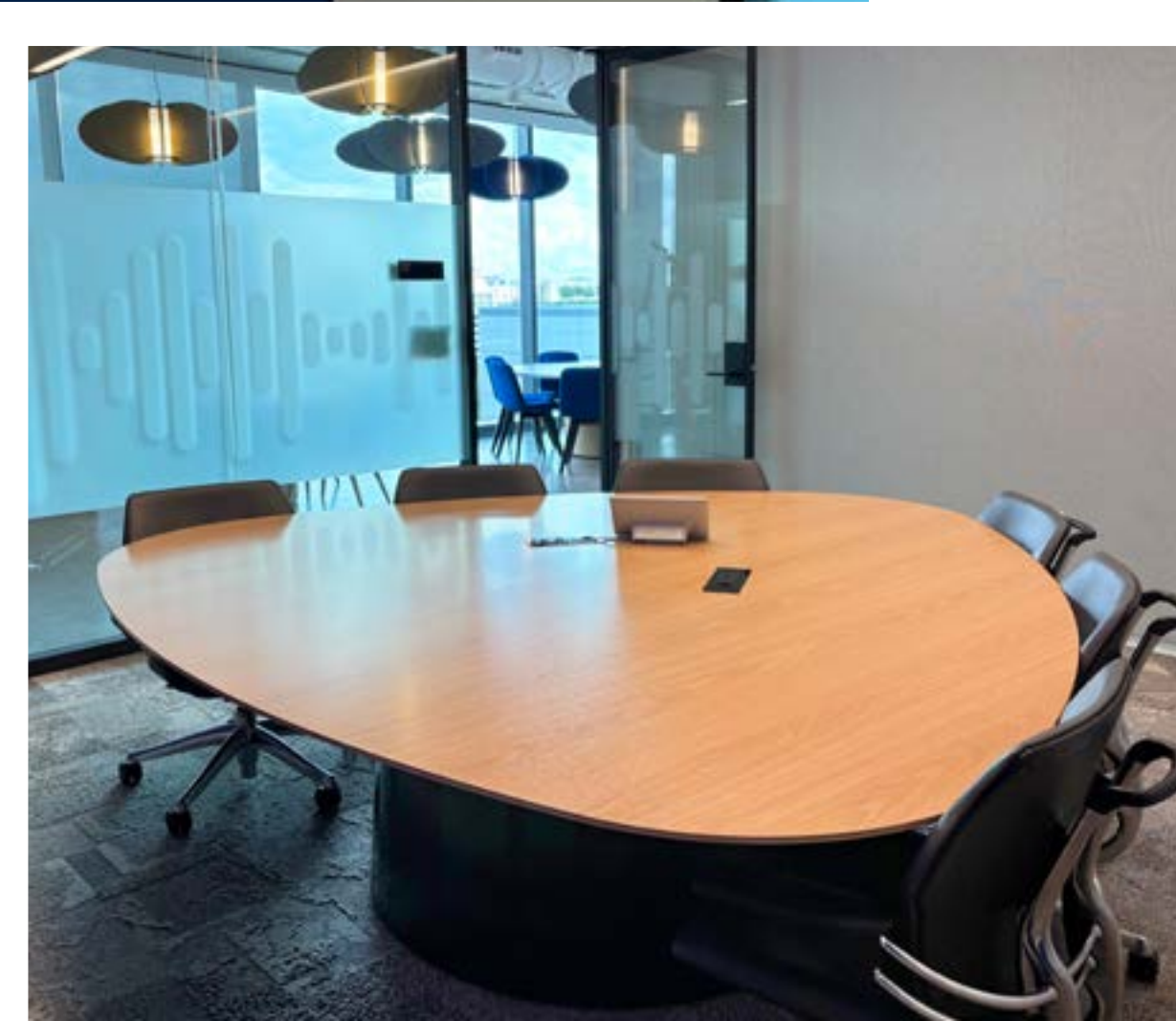
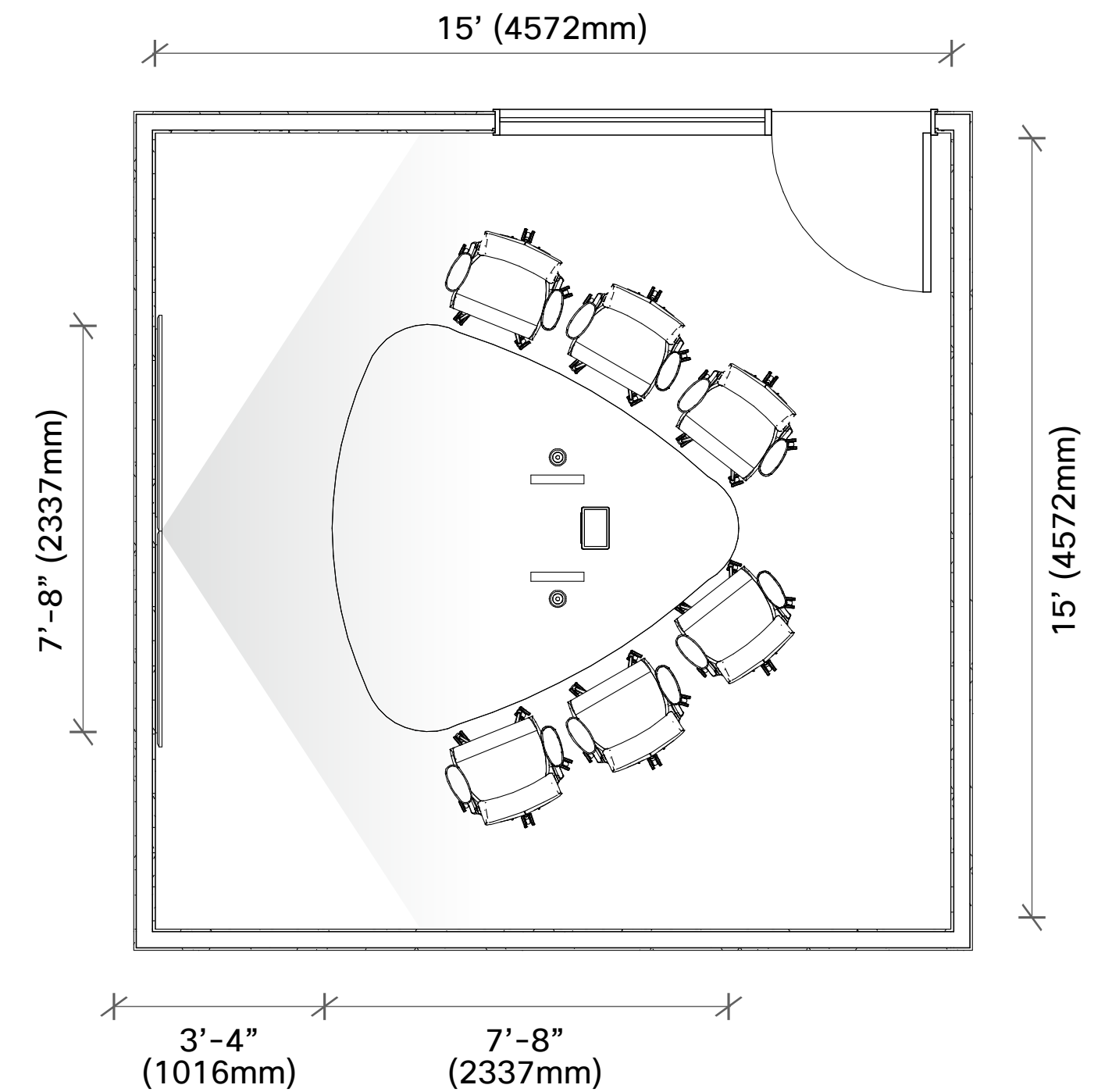
nienkamper

Small Collaboration Room - Video Centric

Room Layout

CISCO

PAGE
32 / 49



Note: Floor plan depicts suggested nominal size.

Innovation Suite

Overview



A perfect space for a team meeting or when colleagues want to get together to share ideas. The informal setting, the mix of seating types, and varying postures provide choice. The Cisco Board Pro 75 is the perfect multi-functional device for the space.

Features

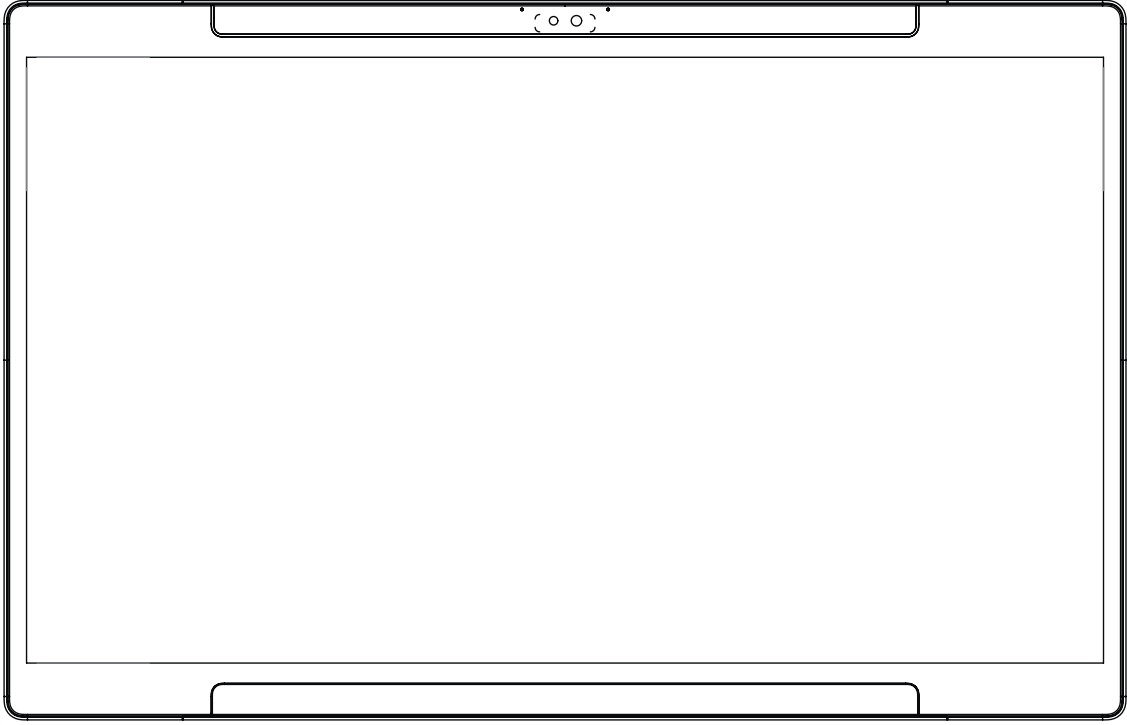
- Cisco Board Pro 75
- Stylex Free Address 2.0 Lounge
- Stylex Verve Counter Stool
- Teknion Cosi Laptop Table

Innovation Suite

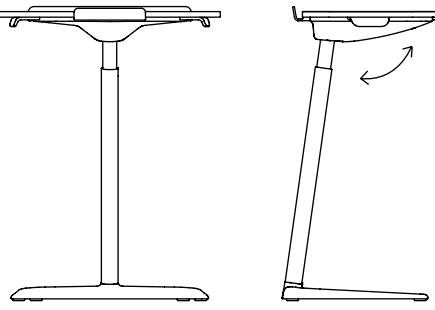
Components

CISCO

Cisco Board Pro 75



Teknion Cosi Laptop Table



Worksurface
Black

Base
Black

22"W x 13.4"D x 25"-33"H
(559mm W x 340mm D x 635-838mm H)

Front Edge Lip, Device Stand with Wire Slot, Tilt Control and Height Adjustable



CISCO

teknion

Stylex Free Address 2.0 Lounge

Frame Finish
Black Matte

Seat Finish
Camira Main Line Twist - Yarn MLT04

Back Panel Finish
Camira Main Line Flax - Edgware MLF28

Ledge Top Finish
Black Laminate

Power (2)
Daisy Chair Under Mount Power - Simplex & Dual USB-C

36"H x 90"W x 45"D
(914mm H x 2286mm W x 1143mm D)

Ledge Top: 15"D (381mmD)



Stylex Verve Counter Stool



Plastic glides
Black

Shell
Soft Blue

Legs
Black

Seat Height
24" (610mm)

STYLEX

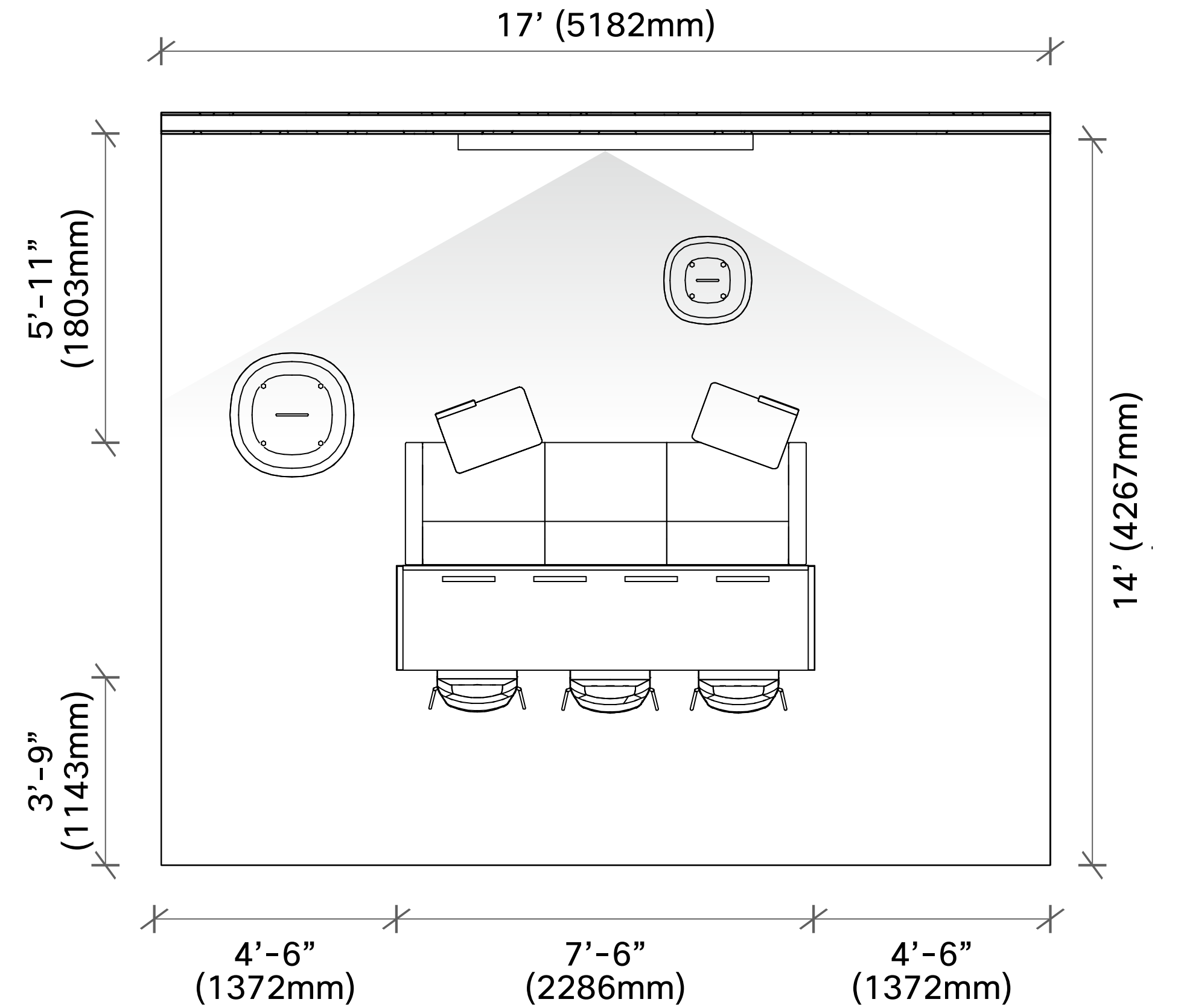
Innovation Suite

Room Layout



CISCO

PAGE
35 / 49



Note: Floor plans depict suggested nominal size.

Medium Collaboration Room - Dual Display

Overview



The perfect space to bring people together for knowledge sharing or decision making, dual 75" displays allow you to see content and remote participants simultaneously. The trapezoid-shaped table ensures that everyone can be seen. In addition, three (3) Cisco Table Microphone Pros ensure everyone can be heard clearly.

Features

- Cisco Room Bar Pro with dual 75" displays mounted on a Salamander Credenza
- Nienkamper Vox table
- Humanscale Freedom Task chairs
- Three (3) Cisco Table Microphone Pros

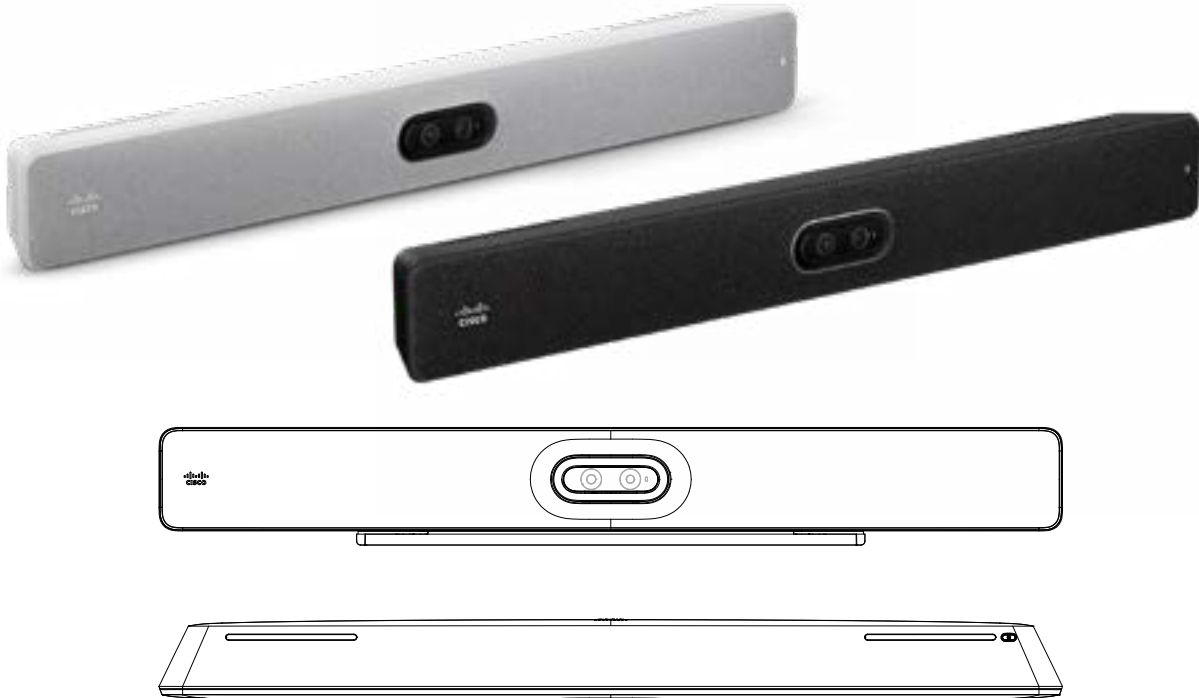


Medium Collaboration Room - Dual Display

Components

CISCO

Cisco Room Bar Pro



Cisco Table Microphone Pro



Cisco Room Navigator for Table



Dual 75" Displays

(LG, Panasonic, Samsung, or Sony)



CISCO

LG Panasonic SAMSUNG SONY

Humanscale Freedom Task Chair



- Armrest/Armpad
Standard Duron Arms - Black
- Frame Color
Polished aluminum with Graphite Trim
- Seat Textile
Ticino (Chrome-Free Leather)
Color: Charcoal

Humanscale

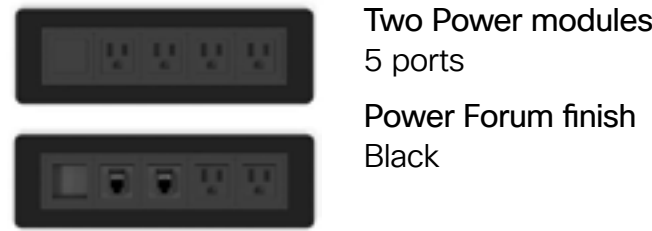
Nienkamper Vox Table TB-15

Table with Trough: Rectangle Shape and Laminate Top
Accessible Duo bases to conceal stub-up

Laminate top
Wilsonart Natural Rift 7954-38,
Fine Velvet Finish

Base
Black

120" W x 28-1/2" H x 48" D
(3048mm W x 724mm H x 1219mm D)



nienkamper

Salamander Credenza

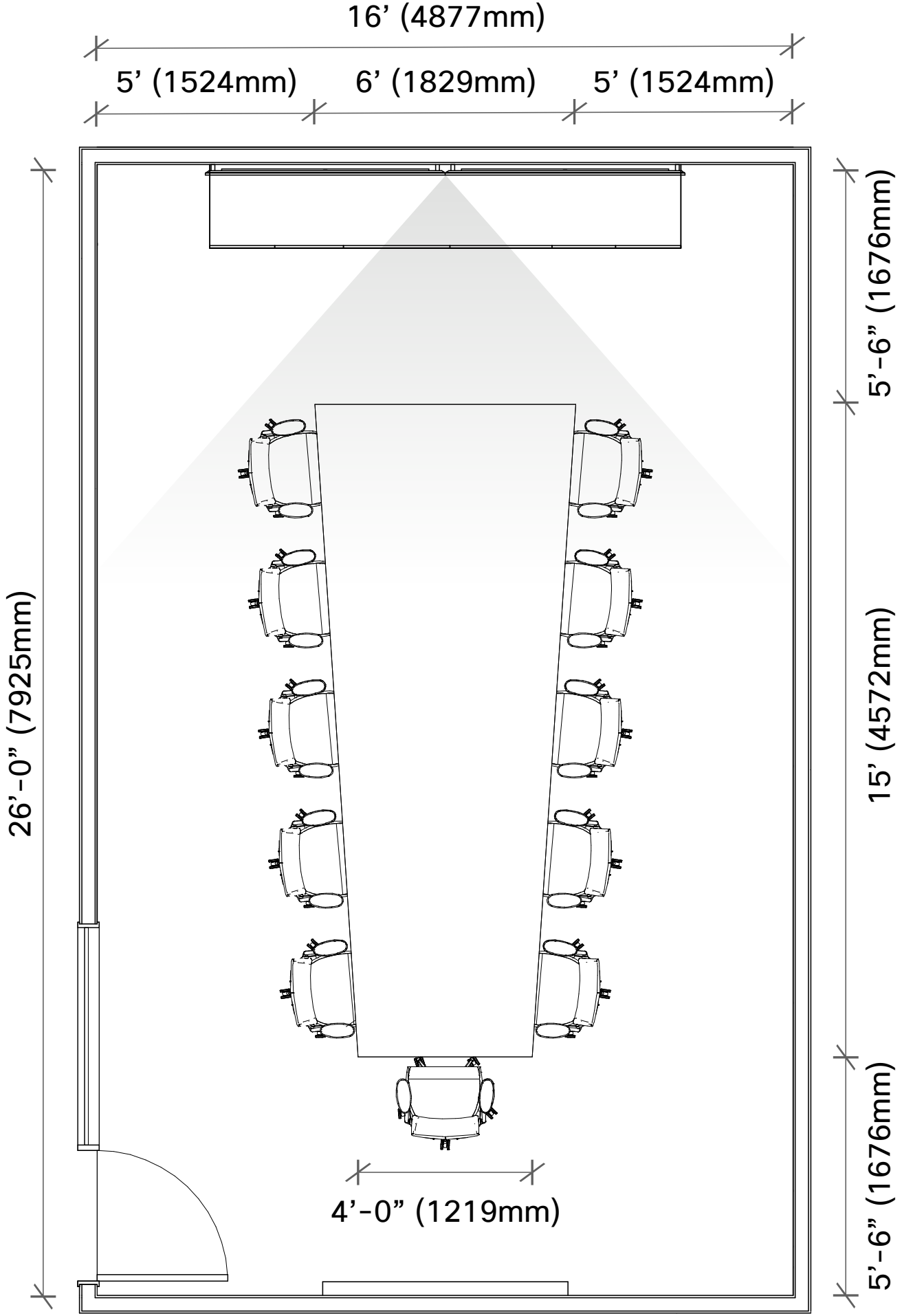


SALAMANDER
DESIGNS

Medium Collaboration Room - Dual Display

Room Layout

CISCO



Note: Floor plan depicts suggested nominal size.

Large Collaboration Room

Overview



The perfect space to bring people together for knowledge-sharing or decision-making activities.

Leveraging Cisco's flagship device for large meeting spaces, the Room Kit EQX is a fully integrated collaboration solution that eliminates the need for any third-party components. Dual 75" displays in the front of the room provide ample screen space for both in-person and remote participants, and when combined with Cisco's AI-powered camera intelligence, everyone is assured to have an unobstructed view of both in-person and remote participants.

In addition, two (2) Cisco Quad Cameras, along with 65" displays, support Cisco's Cross-view capability. Cross-view is an AI-driven feature that analyzes room activity, recognizes speaker(s), tracks where people are facing, and automatically selects the optimal camera angle to ensure remote attendees get the best view.

Features

- Cisco Room Kit EQX, deployed on a Cisco Room Kit EQX Wall Stand, with dual 75" displays
- Two (2) side-mounted Cisco Quad Cameras
- Side mounted 65" auxiliary displays
- Six (6) Cisco Table Microphone Pros
- Nienkamper Vox table
- Humanscale Freedom Task Chairs with headrests



Large Collaboration Room

Components – Cisco Room Kit EQX Option

CISCO

Cisco Room Kit EQX
Wall Mount



Humanscale Freedom
Task Chair



Armrest/Armpad
Standard Duron Arms - Black
Frame Color
Polished aluminum with
Graphite Trim
Seat Textile
Ticino (Chrome-Free Leather)
Color: Charcoal

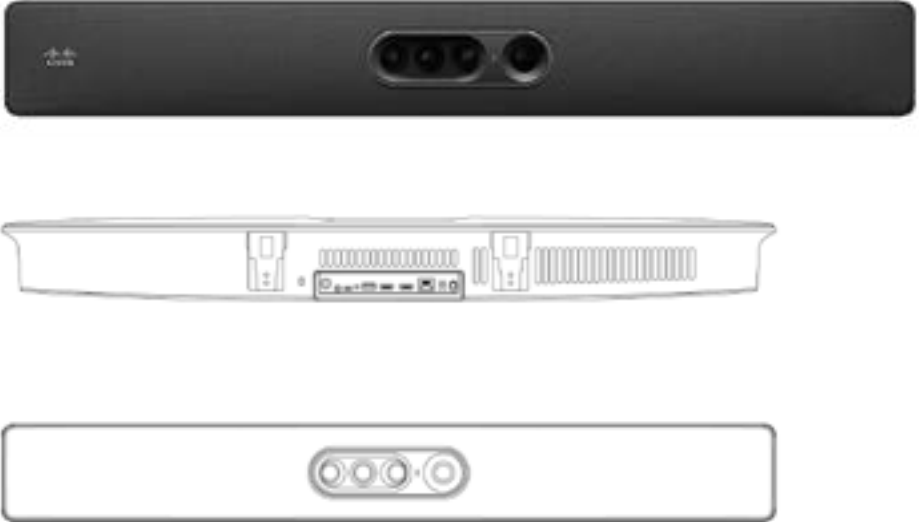
Nienkamper Vox Conference Table



Cisco Table Microphone Pro



Cisco Quad Cameras (x2)
for Cross View

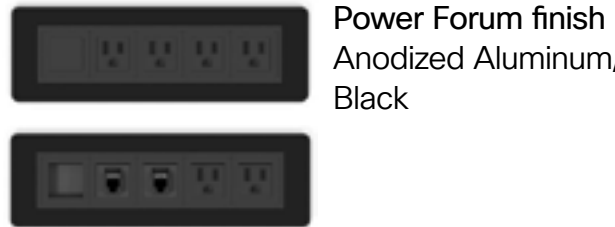


75" Primary Displays
65" Auxiliary Display

(LG, Panasonic, Samsung, or Sony)



Vox Conference Table with Trough
Vista (Closed) Shape
120" L x 66/48" D x 28-1/2" H
(3048mm L x 1676/1219mm D x 724mm H)
Wood finish top
#F18 Natural White Oak
Base and Ends
Black



CISCO

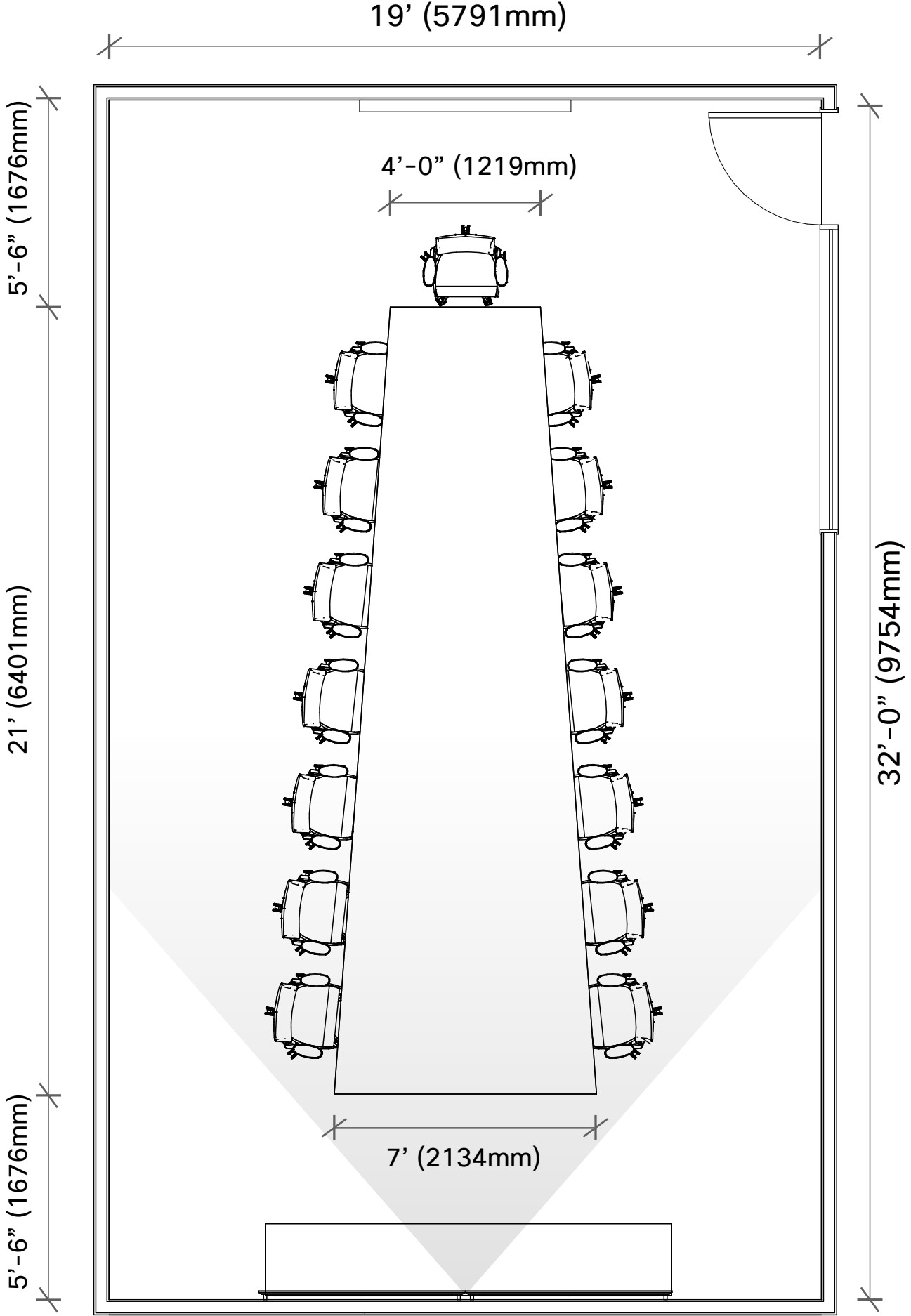
LG Panasonic SAMSUNG SONY

nienkamper

Large Collaboration Room

Room Layout

CISCO



Note: Suggested minimal dimensions would preferably be 29'-0" x 19'-0"

Training Room

Overview



Designed for delivering true hybrid learning events, this training room leverages two large displays, multiple cameras, and a wall-mounted Cisco Board Pro 75, in Companion Mode, to support multiple learning scenarios.

A Cisco Collaboration device feature called “PresenterTrack” uses the rear-mounted Cisco Room Vision PTZ Camera, which can be used in briefing, training, and classroom settings to automatically track and frame a presenter moving across the front of the room, providing a more natural and engaging view for remote participants.

Features

- Cisco Room Kit Pro with Dual 98” Displays (LG, Panasonic, Samsung, or Sony)
- Cisco Ceiling Microphone Pro
- Rear-mounted Cisco Room Vision PTZ Camera
- Rear-mounted 65” display
- Third-party 6.5” ceiling speakers and amplifier
- Wall-mounted Cisco Board Pro 75
- Teknion Expansion Training tables
- Humanscale Cinto Stackable chairs



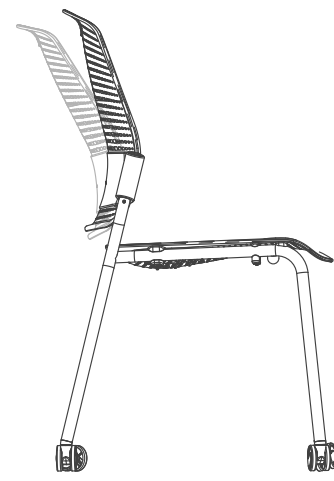
Training Room Components

CISCO

PAGE
43 / 49



Humanscale Cinto
Stackable chairs



Style
Four Legs, Casters
Arms
Fixed Arms - Black
Frame Color
Black
Backrest, Seat Pan Color
Blue
Seat Pad:
Fourtis grade 1 textile;
Color: Hyacinth

Humanscale

Cisco Board Pro 75



CISCO

Cisco Room Kit Codec Pro



CISCO LG Panasonic SAMSUNG SONY

Dual 98" Displays



(LG, Panasonic, Samsung, or Sony)

Teknion Expansion Training table



teknion

Cisco Ceiling Microphone Pro



Cisco Room Vision PTZ
Premium pan-tilt-zoom



CISCO

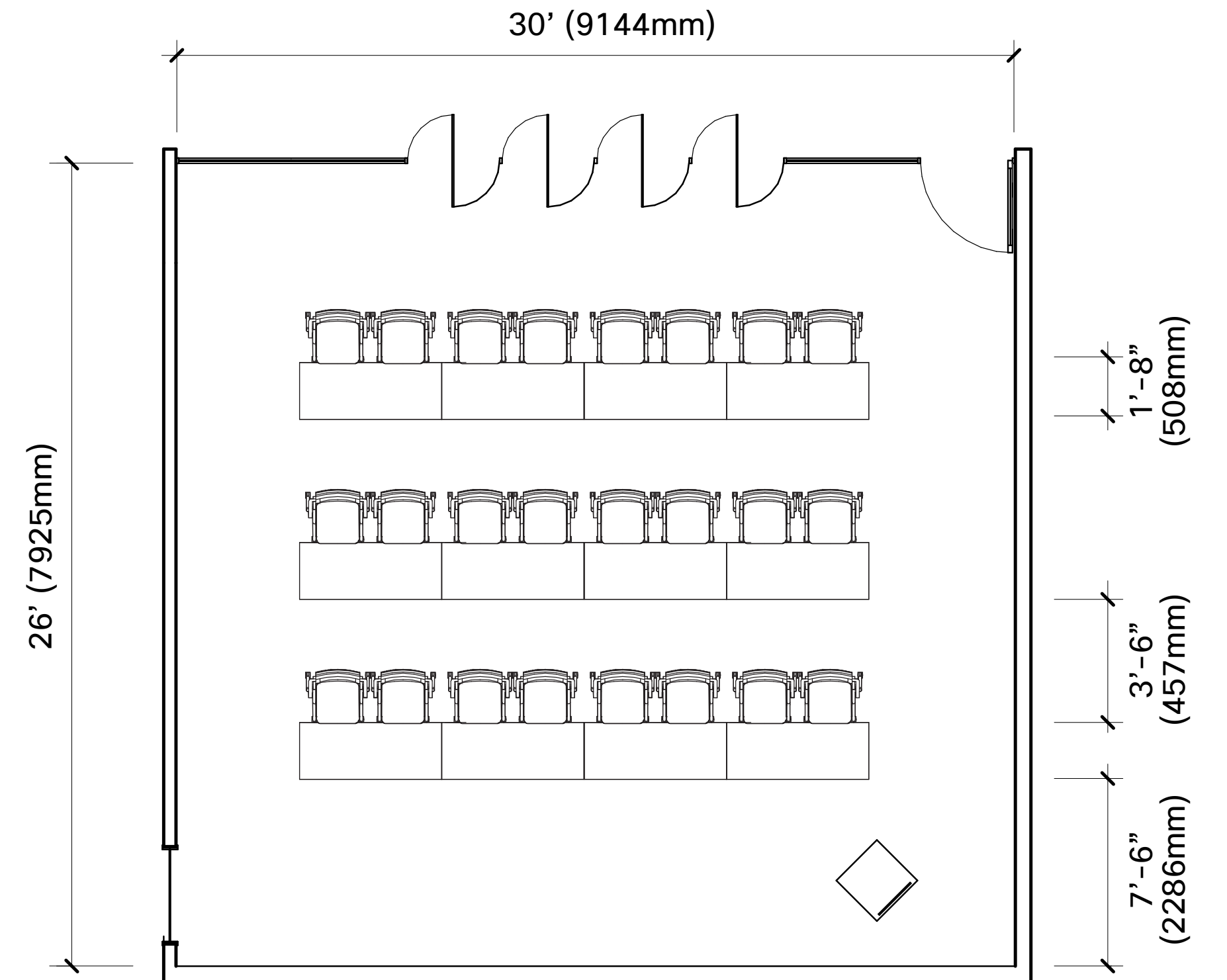
Training Room

Room Layout



CISCO

PAGE
44 / 49



Note: Floor plan depicts suggested nominal size.

Seminar Overview

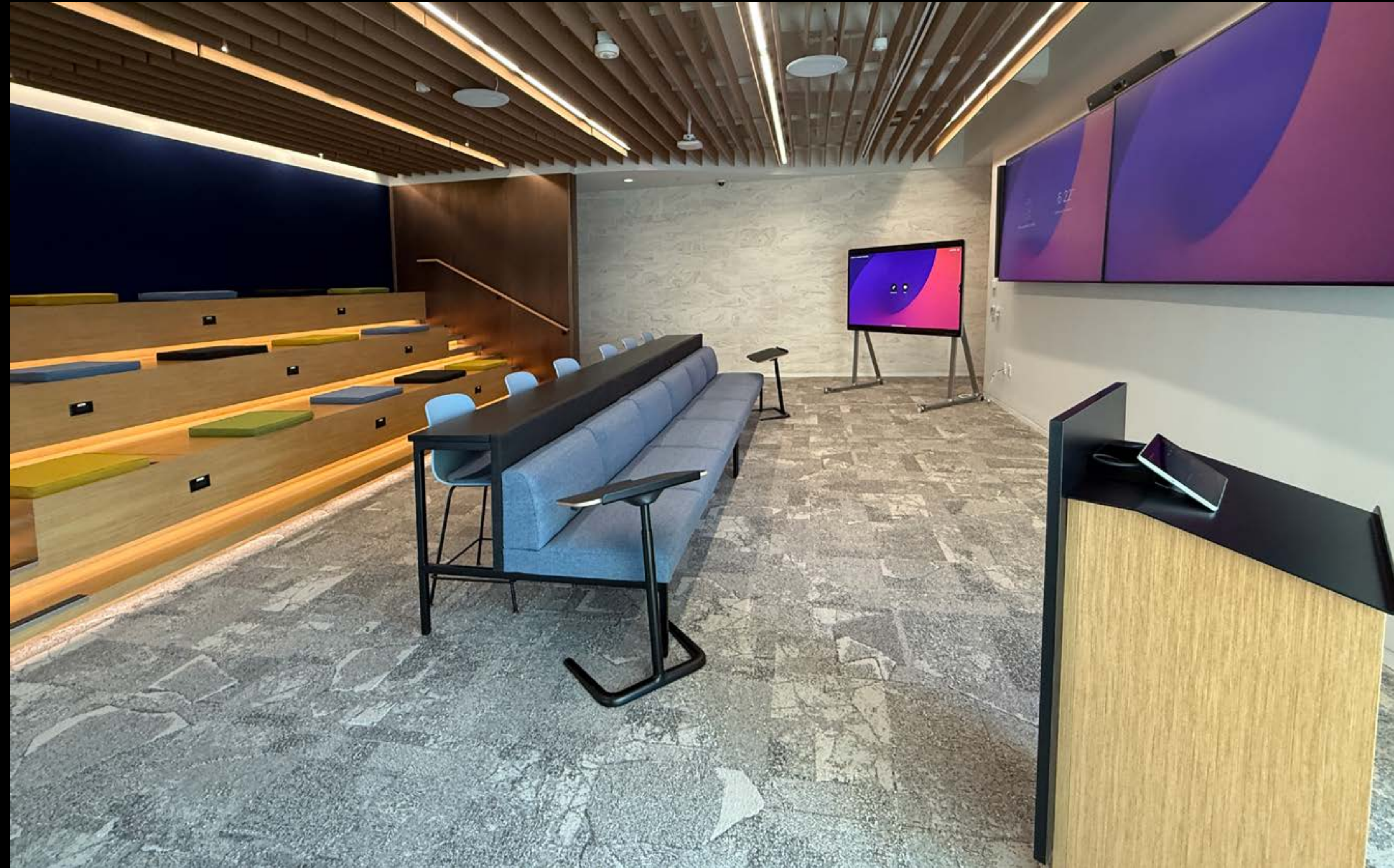


Ideal for seminars and training events, these spaces accommodate various group sizes. This design's tiered seating and generously sized dual displays ensure an unobstructed view for all attendees.

Both front and rear-mounted cameras, powered by Cisco Room Kit Pro, work in unison to provide an amazing experience for those attending in-person and remotely. The optional Cisco Board Pro 75 further enhances the experience by enabling integrated co-creation and whiteboarding.

Features

- Cisco Room Kit Pro with Dual 98" Displays (LG, Panasonic, Samsung, or Sony)
- Cisco Ceiling Microphones
- Rear mounted Cisco Room Vision PTZ Camera
- Rear mounted 65" display
- Third-party column surface mounted speakers
- A Cisco Board Pro 75 with Floor Stand and Wheel Upgrade Kit
- Stylex Free Address 2.0 Lounge
- Stylex Verve Counter Stool
- Teknion Cosi Laptop Table



Seminar

Components - Technology



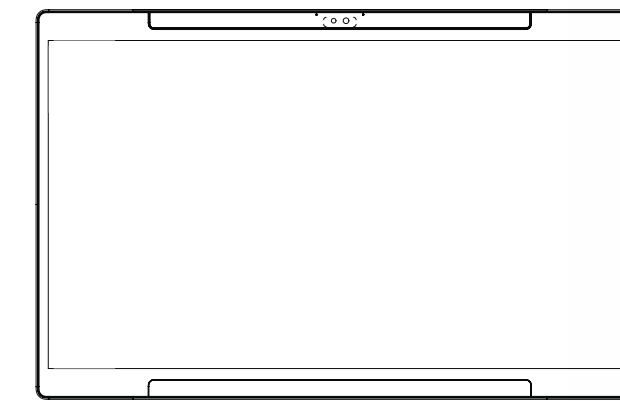
CISCO

PAGE
46 / 49

Cisco Room Kit Pro



Cisco Board Pro 75
with Floor Stand and
Wheel Upgrade Kit



CISCO

Dual 98" and 65" Displays
(LG, Panasonic, Samsung, or Sony)



Cisco Room Vision PTZ
Premium pan-tilt-zoom



Cisco Ceiling
Microphone Pro



CISCO

LG Panasonic SAMSUNG SONY

Seminar

Components - Furniture

CISCO

PAGE
47 / 49



Stylex Free Address 2.0 Lounge

Frame Finish
Black Matte

Seat Finish
Camira Main Line Twist - Yarn MLT04

Back Panel Finish
Camira Main Line Flax - Edgware MLF28

Ledge Top Finish
Black Laminate

Power (2)
Daisy Chair Under Mount Power - Simplex & Dual USB-C

36"H x 90"W x 45"D
(914mm H x 2286mm W x 1143mm D)

Ledge Top: 15"D (381mmD)



Stylex Verve Counter Stool



Plastic glides
Black

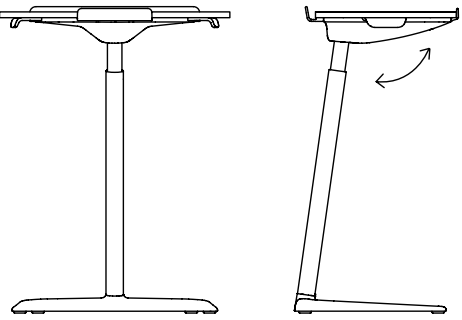
Shell
Soft Blue

Legs
Black

Seat Height
24" (610mm)

STYLEX

Teknion Cosi Laptop Table



Worksurface
Black

Base
Black

22"W x 13.4"D x 25"-33"H
(559mm W x 340mm D x 635-838mm H)

Front Edge Lip, Device Stand with Wire Slot, Tilt Control and Height Adjustable



Teknion Expansion Learning Lectern Podium



Power and Data

Front Laminate Color
Black

Case: Plastic Laminate
2K Pecan Reflect

Metal Shelf and Cupholder
Black

22"W x 27"D x 47.5"H
(559mm W x 686mm D x 1207mm H)

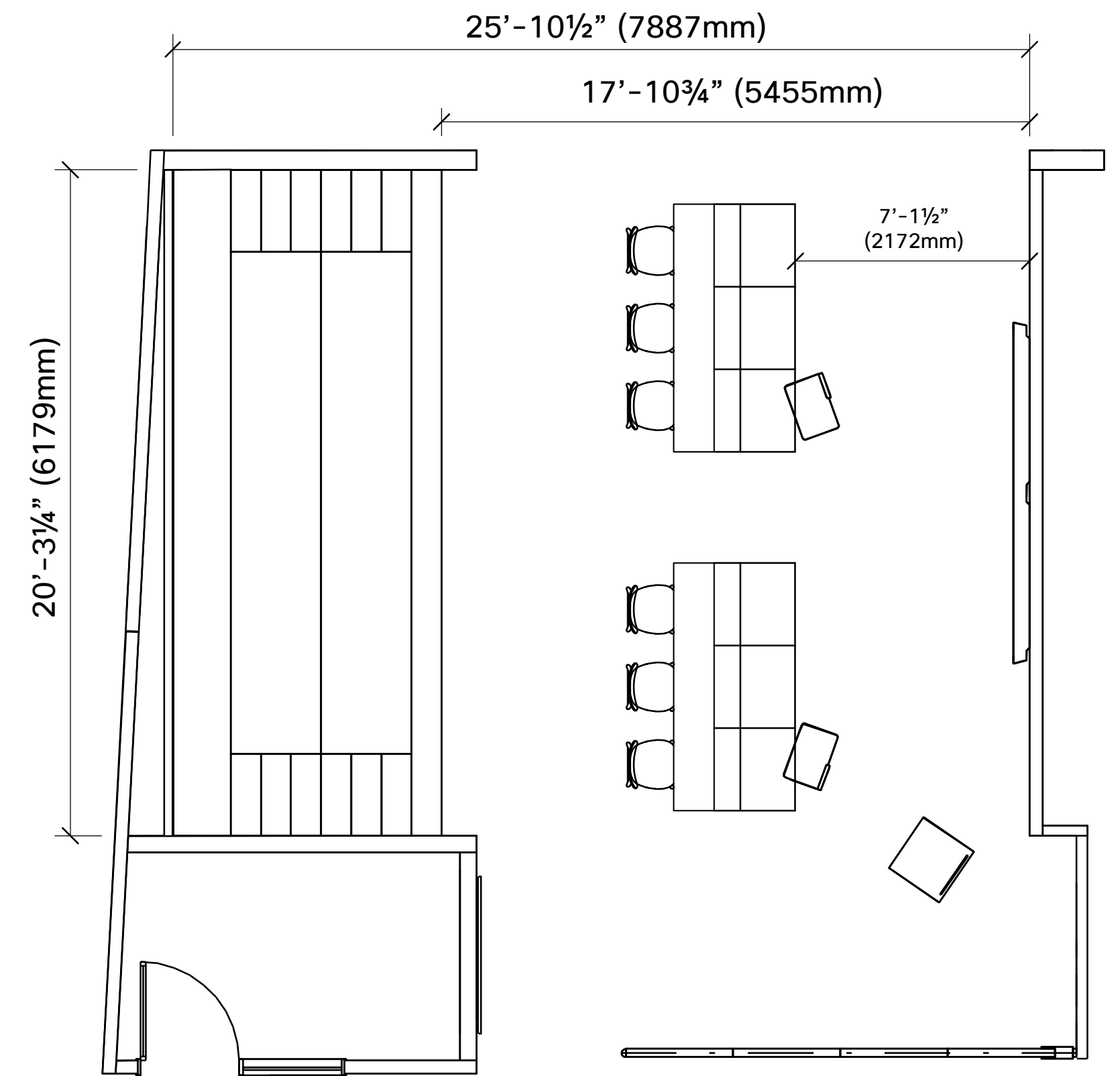
teknion

Seminar Room Layout

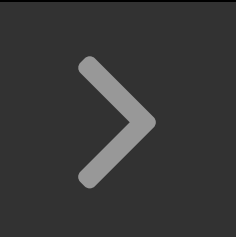


CISCO

PAGE
48 / 49



Note: Floor plan depicts suggested nominal size.



Resources

[Cisco.com](https://www.cisco.com)

[Cisco Workspaces](#)

[Best Practices for Creating Effective Video-enabled Rooms](#)

© 2025 Cisco and/or its affiliates. All rights reserved. Cisco, the Cisco logo, Webex by Cisco, and Webex are trademarks or registered trademarks of Cisco and/or its affiliates in the U.S. and other countries. To view a list of Cisco trademarks, see the Trademarks page on the Cisco website. Third-party trademarks mentioned are the property of their respective owners. The use of the word “partner” does not imply a partnership relationship between Cisco and any other company. (2106R)

The intent of this document is to highlight the details, components and partners used in the creation of ATL Tech Square. Any reference herein to any specific commercial products or service does not necessarily constitute or imply its endorsement or recommendation.