

Smart Building and Hybrid Work Solutions

Cisco Talent and Collaboration Centers



DC Wharf Look Book

Version 10 (December 5, 2025) © 2025 Cisco and/or its affiliates. All rights reserved.



The intent of this document is to highlight the details, components and partners used in the creation of this office. Any reference herein to any specific commercial products or service does not necessarily constitute or imply its endorsement or recommendation.

DC Wharf Look Book

Delivering a Future-proofed Workplace in the Nation's Capital

Set on the bank of the Potomac River, just south of the Mall, sits Cisco's showcase office supporting our Public Sector and mid-Atlantic customers. Centered in one of Washington, DC's most vibrant neighborhoods, the office is a hub for our employees, customers, and partners to connect, collaborate, and innovate.

Building on the success of recent projects in New York City, Atlanta, London, Milan, Singapore, and Shanghai, the new office at DC Wharf is another step towards Cisco's goal of creating the most connected, sustainable, and collaborative workplaces in the world. Encompassing ~25,000 ft² and supporting over 2,000 employees in the greater DC metro area, the office combines innovative technology, cutting-edge space design, and contemporary furnishings to create a workplace that is ready to "earn the commute" of employees.

Technology is the foundation on which this new work environment has been created. Intelligent building systems, such as lighting and shading, as well as 100% of the sit-stand desks, are powered by low-voltage provided by the Cisco network, contributing to Cisco's sustainability and wellness goals. Cisco Wireless access points provide secure, intelligent, and reliable connectivity, ensuring employees and visitors can move effortlessly across the entire workspace.

Lastly, to foster collaboration, learning, and socialization, 100% of the meeting spaces are video-enabled. When combined with other technology elements – such as Meraki cameras and sensors, and Cisco Spaces, all connected over the Cisco network – Cisco's DC Wharf office is the next step in Cisco's journey to digitize its real estate portfolio.

▶ Key Design & Implementation Partners	3
▶ Enabling Technology	4
▶ Floor Plan	11
▶ Hot Desk	12
▶ Video Booth	14
▶ Quiet Room (One and Two-Person)	16
▶ Traditional Huddle Room	19
▶ Casual Huddle Room	22
▶ Brainstorming Huddle Room	26
▶ Small Collaboration Room	29
▶ Small Collaboration Room - Video Centric	32
▶ Medium Collaboration Room - Video Centric	35
▶ Innovation Suite	38
▶ Large Collaboration Room	43
▶ Training Room	46
▶ Resources	49

Key Design & Implementation Partners

CISCO



Owner's Representative
& Project Management




Architectural
Design Services



Construction
Management



Collaboration Design
& Implementation Services



Smart Building Design
& Implementation Services



Interiors & Furnishings

Enabling Technology

Smart Building Components

CISCO

molex



Low Voltage 90W PoE lighting across entire floor and environmental sensors (temperature, humidity, TVoC, PM 1.0/2.5/10, and CO²) in the enclosed spaces

Mecho



Intelligent automated shading platform

CISCO Meraki



MT15 Environmental Sensors (temperature, humidity, TVoC, PM2.5 and CO²) in the open plan areas

mht



Power over Ethernet (PoE) desk conversion kits

DBS
Digital Building Solutions

Smart Building Design
& Implementation Services

Enabling Technology

Smart Cameras

CISCO

PAGE
5 / 49



High-definition Indoor Security Cameras

Providing local storage of video and advanced object detection to support people counting.

Cisco Meraki MV22 Cloud Managed Security Camera



Enabling Technology

Cisco Smart Workspaces



Workplace visualization tool, leveraging data sources across all technology platforms to help employees make better decisions within the work environment.

17 Meeting Rooms on this floor

16 Available	0 Booked	0 Occupied	1 No Data
--------------	----------	------------	-----------

Find available Meeting Rooms

Room Finder

Indoor Air Quality: Excellent

Temperature: 72°F

Humidity: 32%

Monday, October 20 7:56 PM

How do I use this?

On This Floor

Select to find on map:

- Rest Rooms
- Help Desk
- Child Care Area

Search Where am I? Re-Center Map

mapbox

Collaboration space availability using presence and people counting data from Cisco collaboration devices

Indoor air quality from wired sensors in lighting platform, Cisco collaboration devices in collaboration spaces/individual spaces

Enabling Technology

Networking Elements



The Cisco Catalyst 90-watt UPOE+ 9300X stackable switching platform provides connectivity and power for both IT elements (wireless access points, collaboration devices, digital signage, smart cameras, etc.) and OT systems (lighting, shading and environmental sensors).



The Cisco Wireless 9178 Series Access Point WiFi 7 Wireless Access Points (APs) provide network connectivity for employees and guests.

These cloud-managed devices power next generation of wireless experiences, and are designed to revolutionize connectivity and digital experiences. Offering unprecedented speeds, enhanced security, and resilient connectivity, the Cisco Wireless 9178 Series is ideal for high-density environments

Cisco Catalyst 9300X Switch



Cisco Wireless 9178i Access Points



Enabling Technology

Cisco Video Devices

CISCO

Cisco Room Bar

Integrated video conferencing system for small rooms



Cisco Room Bar Pro

Dual-camera integrated video conferencing system for medium rooms



Cisco Room Kit EQ

An AI-powered collaboration solution for large collaboration rooms and boardrooms



Cisco Room Kit Pro

A powerful and flexible room device bundle for very large rooms and custom AV integration scenarios.



Cisco Board Pro G2

Interactive collaboration board available in 55" and 75" screen sizes



Cisco Room Kit EQX

Powerful dual-screen collaboration system with integrated sound system



Cisco Desk Pro

Studio-quality desktop collaboration with a 27" screen, used in Quiet Rooms



Cisco Desk

All-in-one desktop collaboration device with a 24" screen, used on hot desks



Cisco Desk Mini

Desktop collaboration system with a 15" screen, used in video booths and banquettes



Cisco Ceiling Microphone Pro

Intelligent beamforming mic, easy-to-deploy and gives great room coverage



Cisco Table Microphone Pro

Advanced beamforming table microphones.



Cisco Room Vision PTZ

Premium pan-tilt-zoom



Enabling Technology

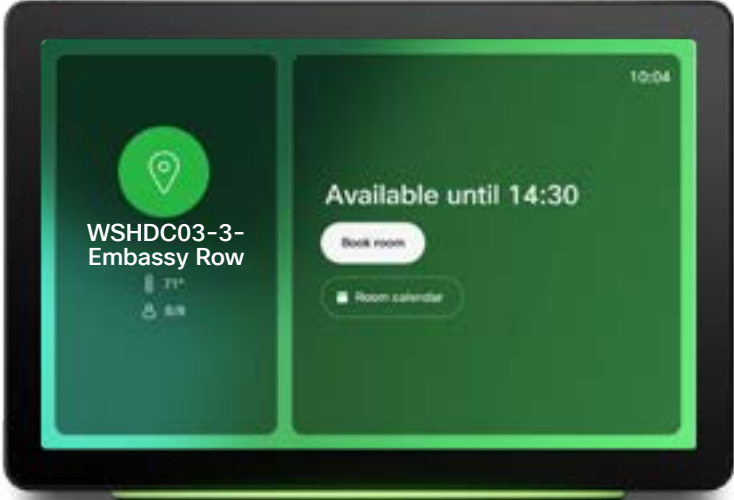
Room Signage



Bookable Rooms

Cisco Room Navigator for Wall – through its integration with the O365 Calendar – enables seamless room booking, calendar view, meeting information, and meeting extension with a few taps on the touch screen.

Available



Booked (not yet occupied)



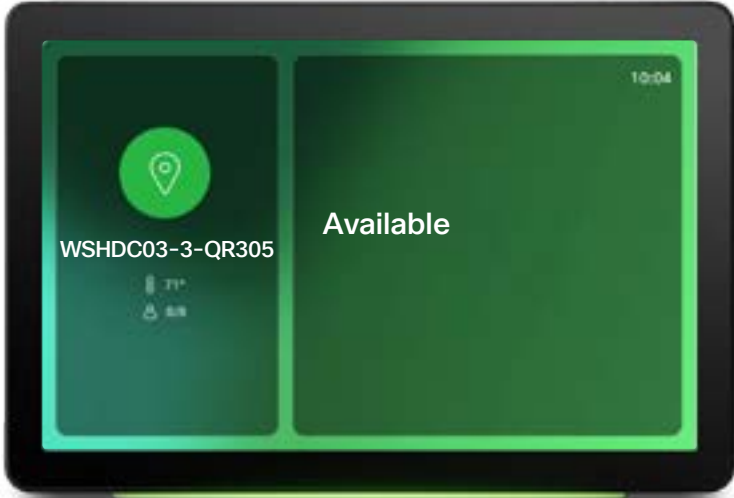
Occupied



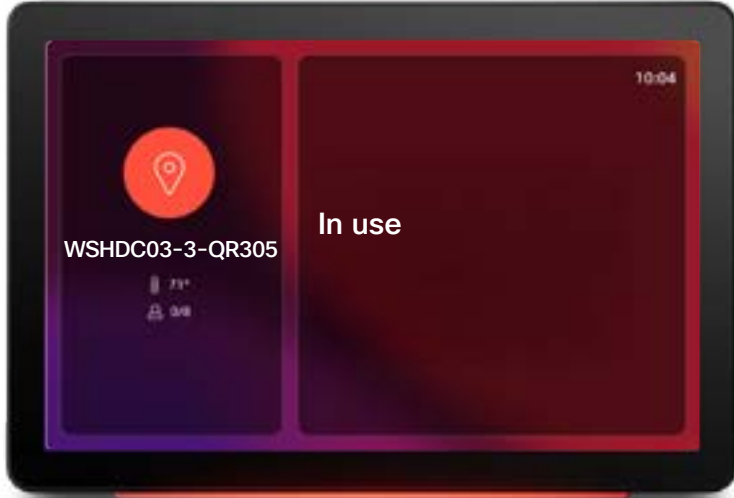
Adhoc Rooms

Using the presence and people counting capabilities of the Cisco Collaboration Devices, the Cisco Room Navigators change the LED light and display based on occupancy (green for available and red for occupied).

Available



Occupied

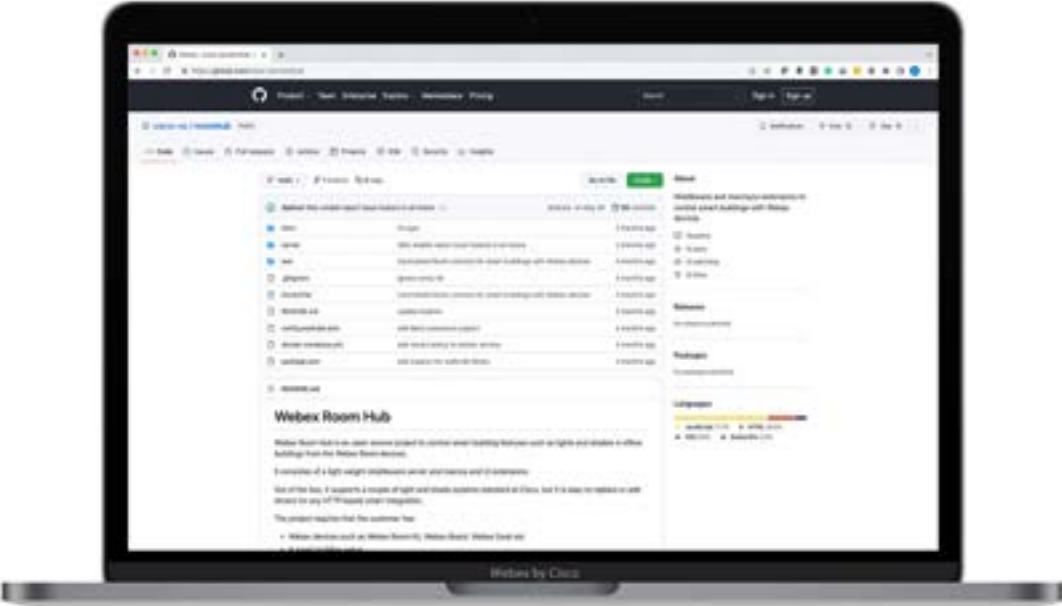


Enabling Technology

Building System Integration

Leveraging the open APIs available from the smart building systems and the UI Extension feature within the Cisco collaboration devices, custom buttons have been installed on the Cisco Board Pros, Cisco Desk/Desk Pros, and the Cisco Room Navigators to control lights and shades in the collaboration spaces.

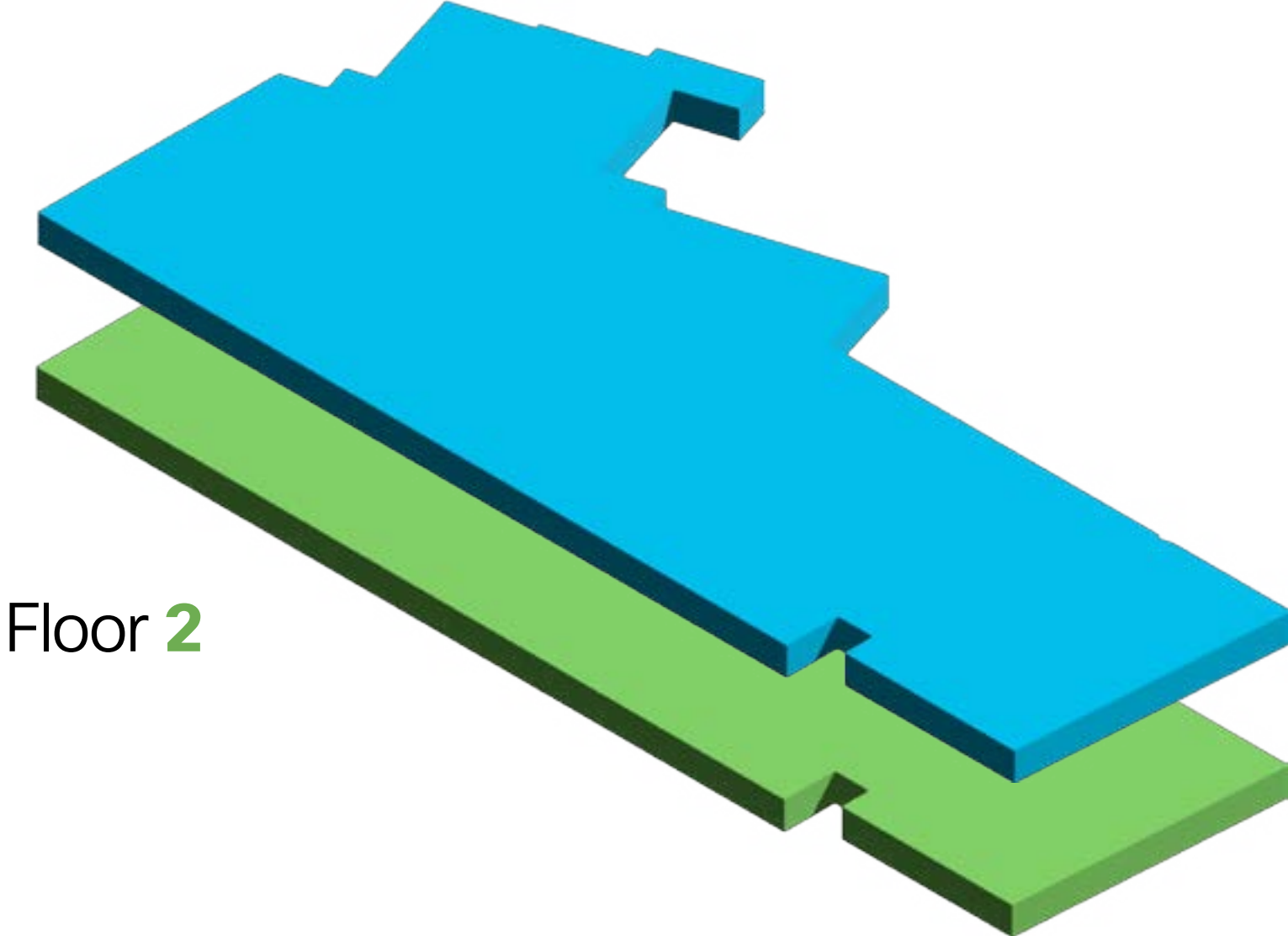
The integrations leverage the openness of the smart building APIs and the Cisco collaboration devices, and do not require using any third-party control systems (Crestron, AMX, etc.). They are now available on GitHub for download and use.



Floor Plan

CISCO

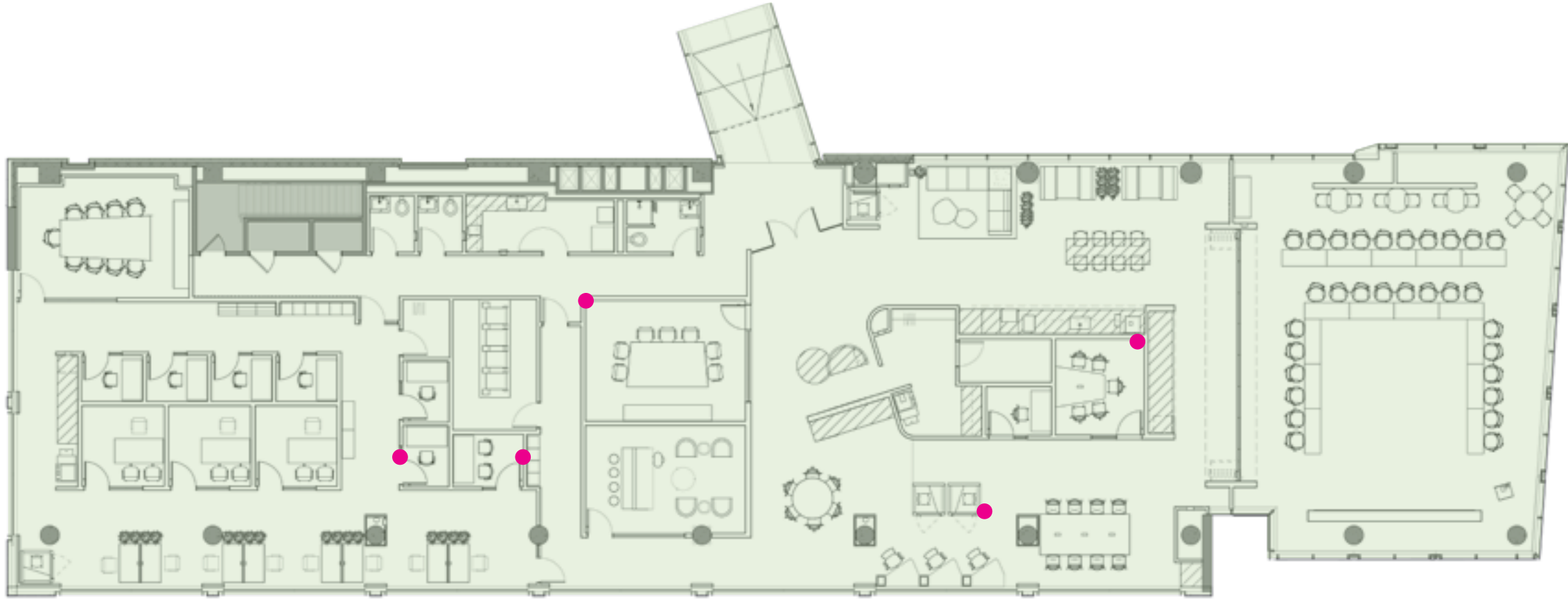
Floor 3



Floor 2



Floor 3



Floor 2

Hot Desk Overview



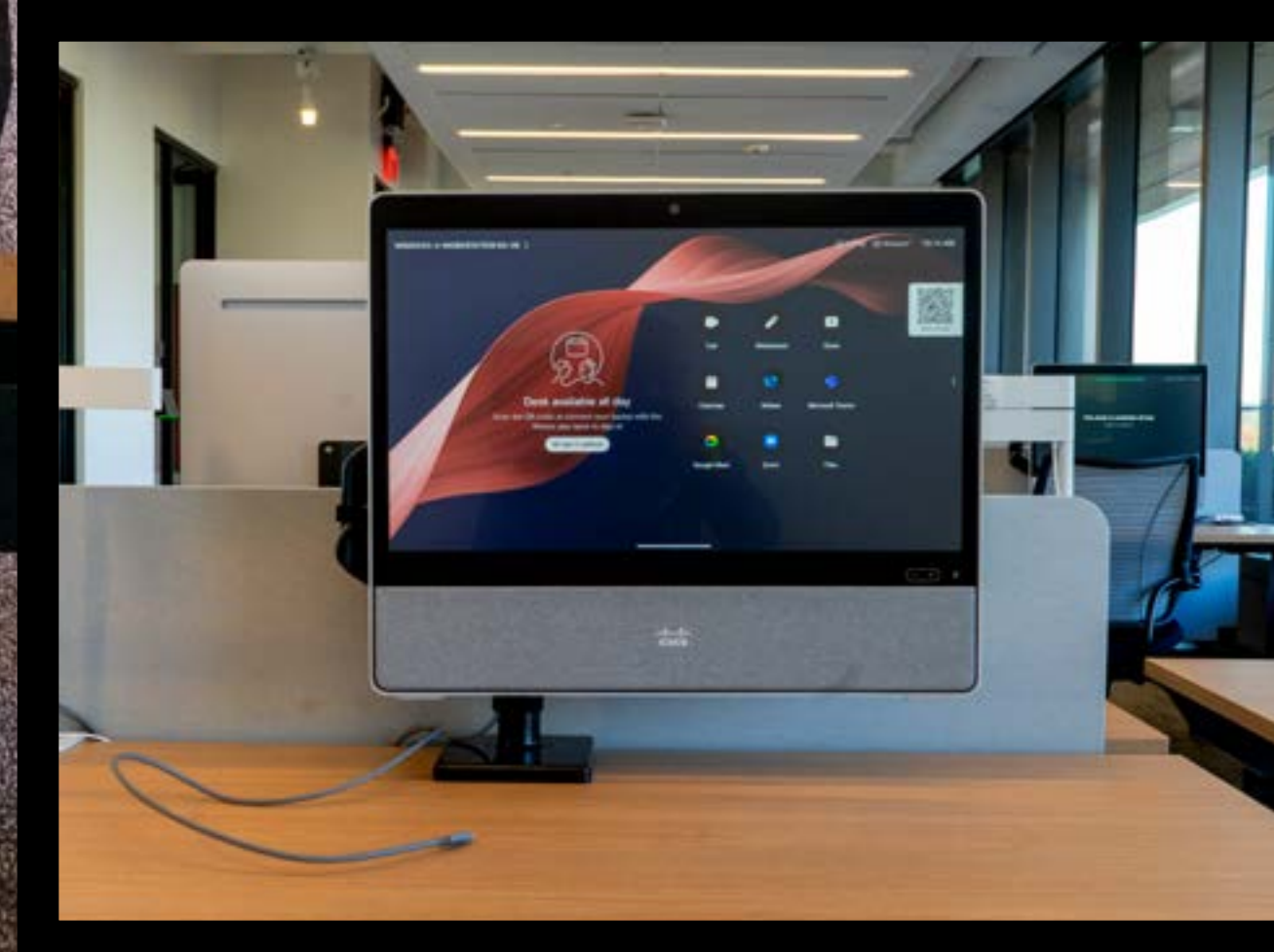
Providing areas for people to do focused work or passively participate in a remote meeting is critical in the hybrid work environment, and the hot desk is the ideal space for these activities.

In the DC Wharf office, 100% of the hot desks in the employee area are low-voltage, powered by the Cisco network. This includes powering the desk controls and height adjustable motor, the task light, USB-C convenience outlets for laptop and mobile device charging, and the Cisco Desk device.

With a simple scan of the QR code, employees can sign in and book the desk for a few hours or for the rest of the day. Hot desking turns the Cisco Desk into the employee's personal meeting device, enabling meeting notifications, One Button to Push, and whiteboarding. It can also be used as a secondary display.

Features

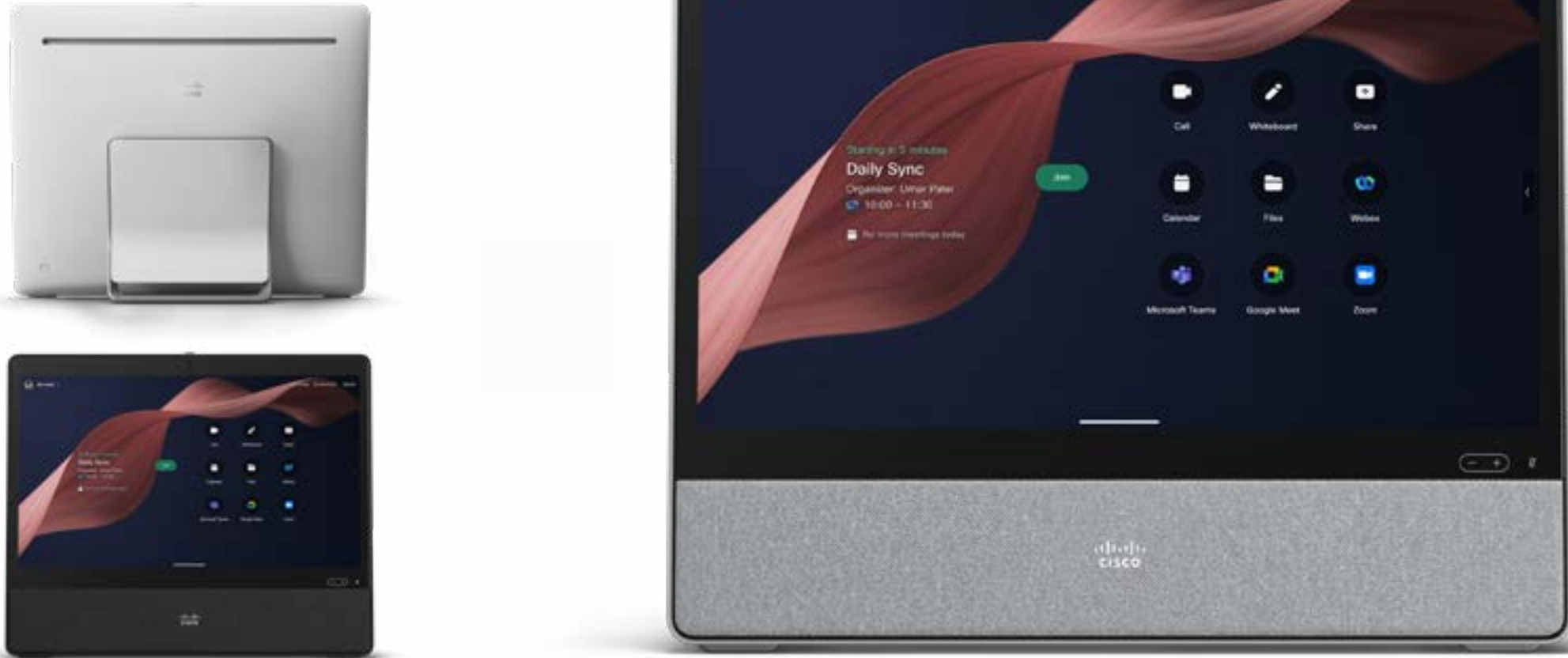
- Cisco Desk
- Teknion Navigate Height-Adjustable Table (Level 2) or Senator Chemistry Plus Height Adjustable Desking System (Level 3)
- Teknion Cerebro Task Light
- Humanscale M.8 Monitor Arm
- Humanscale Liberty Task Chair
- MHT Inxpextor Desk Kit
- Planet Tech PoE Splitter



Hot Desk Components

CISCO

Cisco Desk



CISCO

MHT Inspextor Node

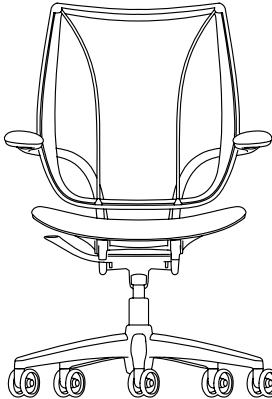


mht

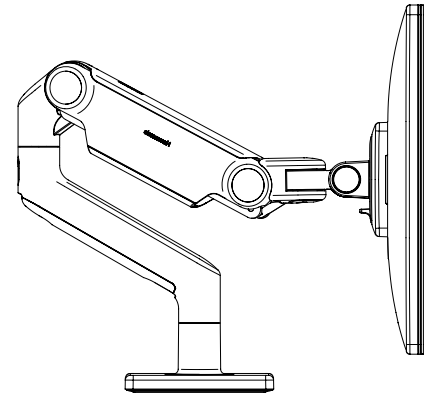
Humanscale Liberty Task Chair



- Armrest/Armpad
Fixed Duron Arms
- Frame Color
Silver with Silver Trim
- Back Mesh
Pinstripe (Color: White)
- Seat Textile
Fourtis (Color: Granite Box Stitching)



Humanscale M.8 Monitor Arm

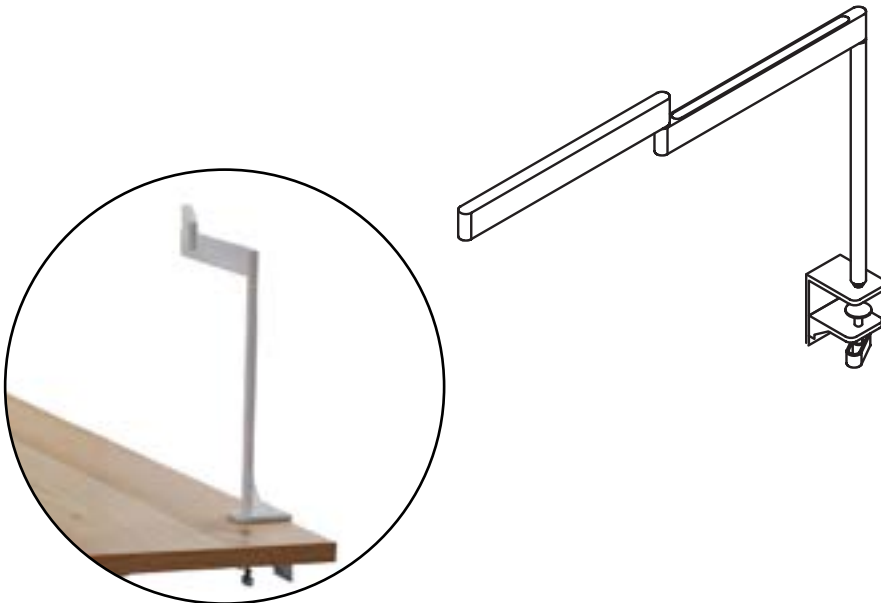


- Mount
Clamp
- Color
Black with Black Trim

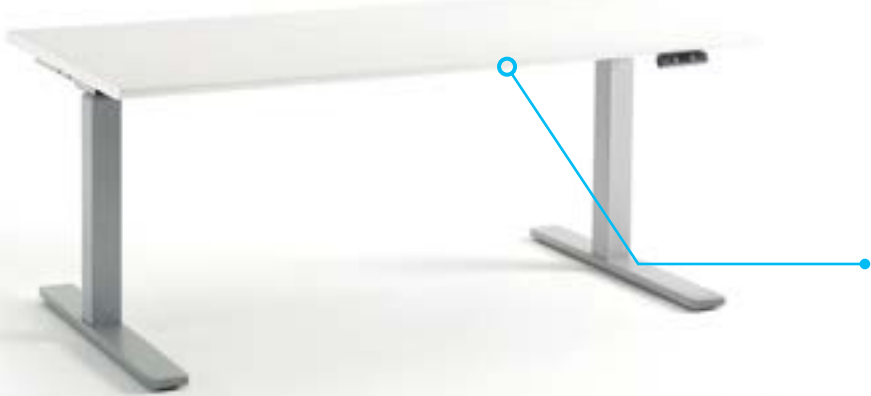


Humanscale

Teknion Cerebro Task Light



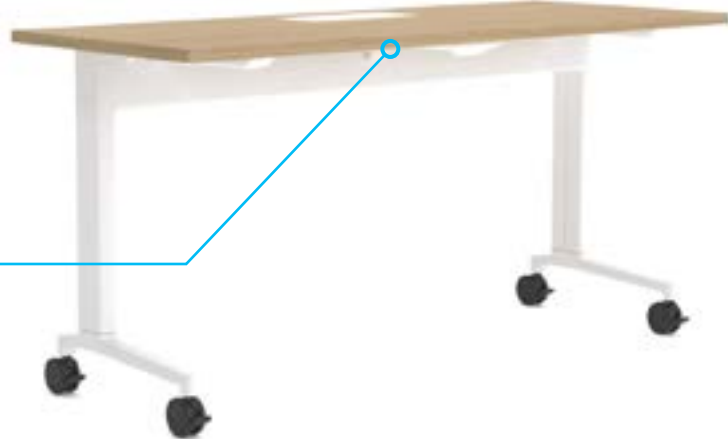
Teknion Navigate Height Adjustable Table



Desk conversion kits by: **mht**
Actuators and desk controls by: **LINAK**

teknion

Senator Chemistry Plus Height Adjustable Desking System



SENATOR

Planet Tech PoE Splitter



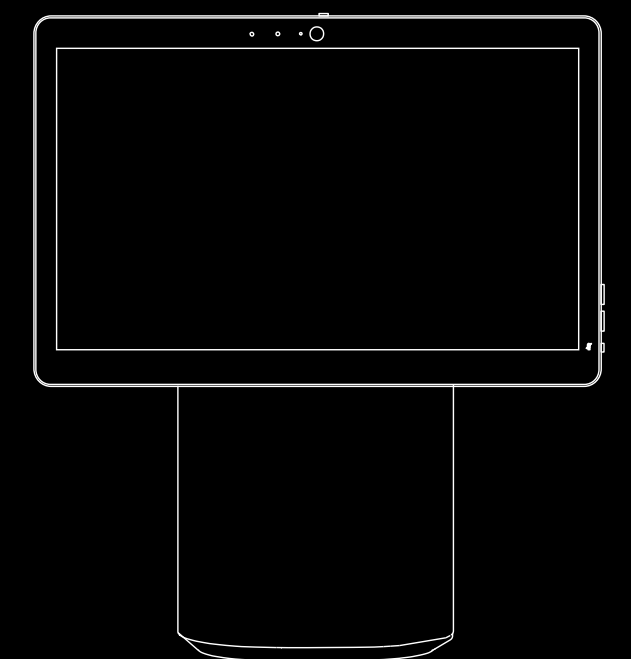
POE-173S Single-Port 10/100/1000Mbps 802.3bt PoE++ Splitter
The POE-173S 802.3bt PoE splitter supports passive 10/100/1000Mbps Ethernet connection and distance up to 100 meters.

PLANET

Video Booth



Ideal for short-duration privacy from the open plan, these free-standing spaces are equipped with a Cisco Desk Mini to enable video, desktop sharing, and whiteboarding.



Video Booth



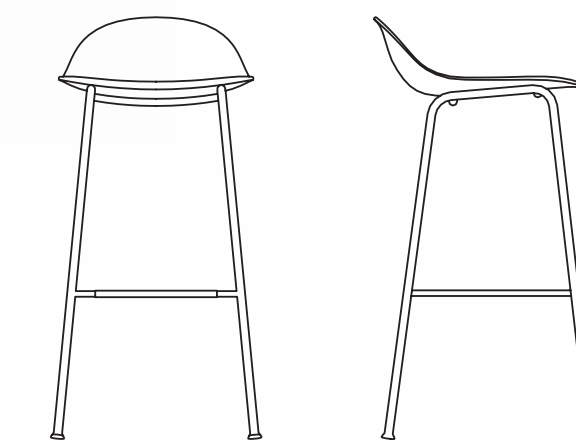
CISCO

PAGE
15 / 49

Cisco Desk Mini



Allemuir Kin Bar Stool

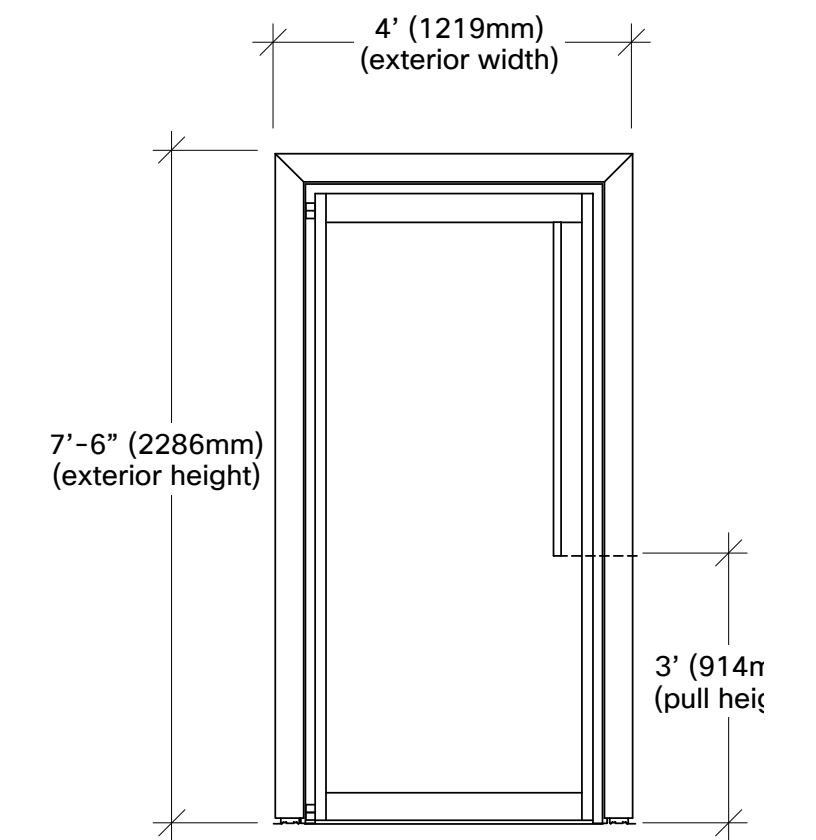


Leg
Metal: Off Black

Seat: Plastic
Off-Black

18"W x 17.5"D x 34.75"H
(457mm W x 445mm D x 883mm H)

Teknion POD



Exterior Shell/Frame/Door
Metal, Ebony

Worksurface
Plastic Laminate, Campus Oak

Tack Surface
LUUM Digi Tweed, 4058 Basalt

4"W x 4'D x 7'-6"H
(1219mm W x 1219mm D x 2286mm H)

CISCO

Allemuir

teknion

Quiet Room (One and Two-Person)

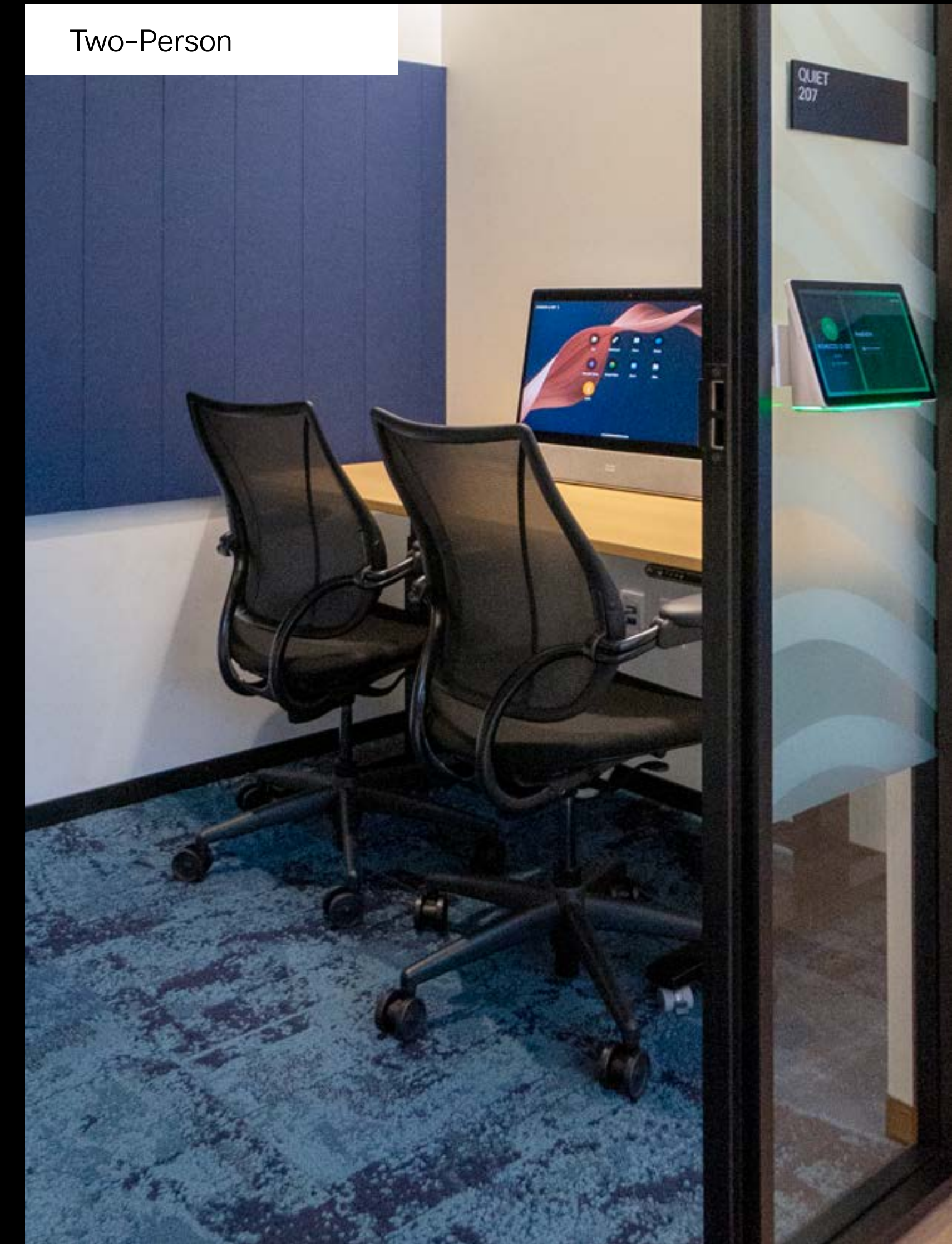
Overview



The one and two-person quiet rooms are a great space when employees and/or visitors need privacy to take a video call, carry out focused work, or simply need a bit more screen space.

Features

- Cisco Desk Pro
- Teknion Navigate Height-Adjustable Table (Level 2) or Senator Chemistry Plus Height Adjustable Desking System (Level 3)
- Humanscale Liberty Ocean Task Chair



Quiet Room (One and Two-Person)

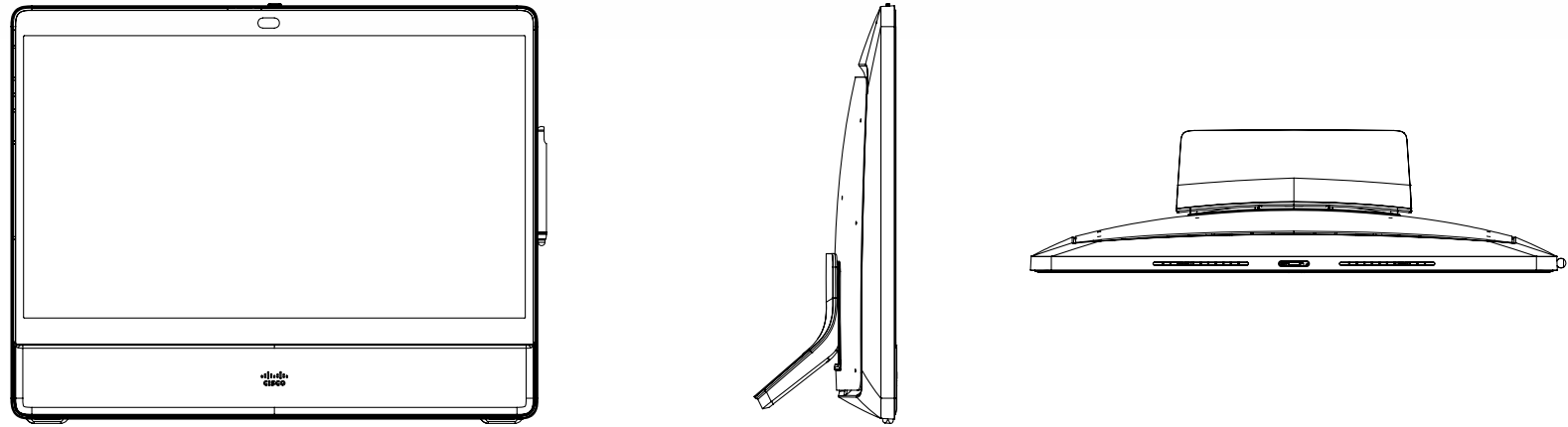
Components

CISCO

One-Person

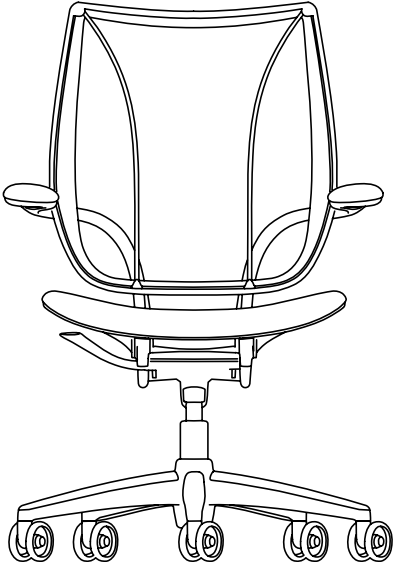


Cisco Desk Pro



CISCO

Humanscale Liberty Ocean Task Chair



- Armrest/Armpad
Fixed Duron Arms
- Frame Color
Silver with Silver Trim
- Back Mesh
Pinstripe (Color: White)
- Seat Textile
Fourtis (Color: Granite Box Stitching)

Humanscale

Senator Chemistry Plus Height Adjustable Desking System



SENATOR

Teknion Navigate Height Adjustable Table with PoE Conversion Kit

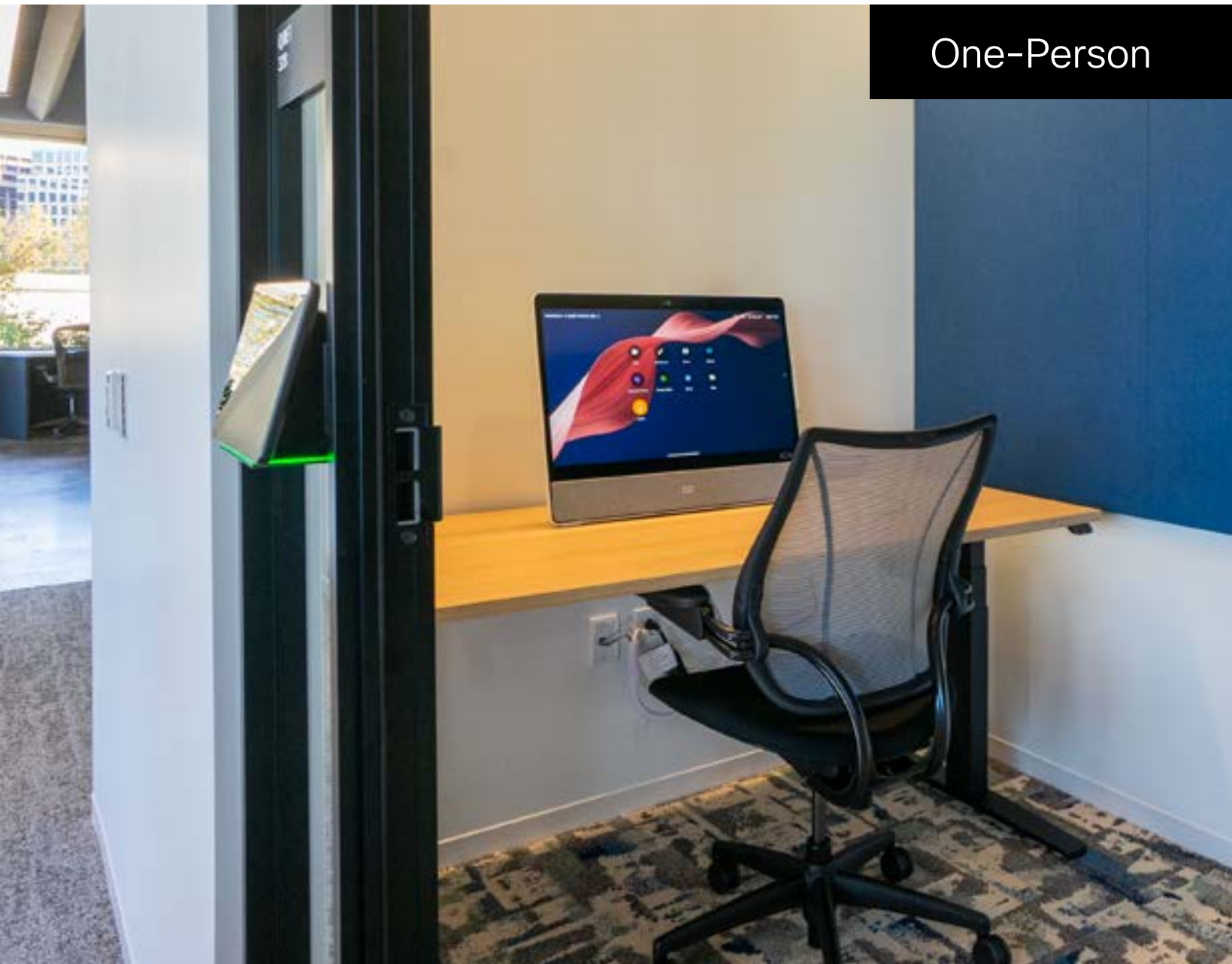


teknion

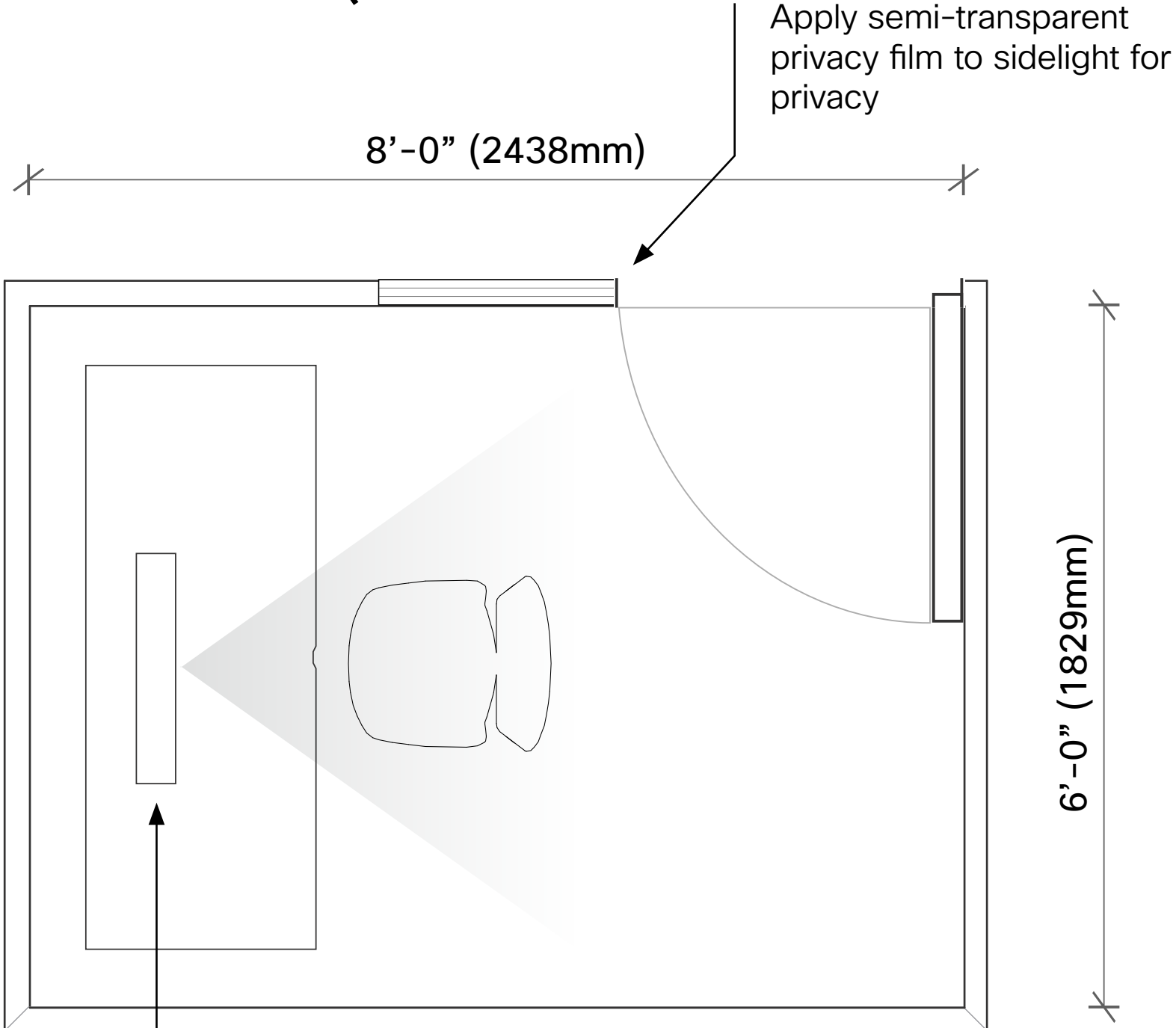
Quiet Room (One and Two-Person)

Room Layout

CISCO

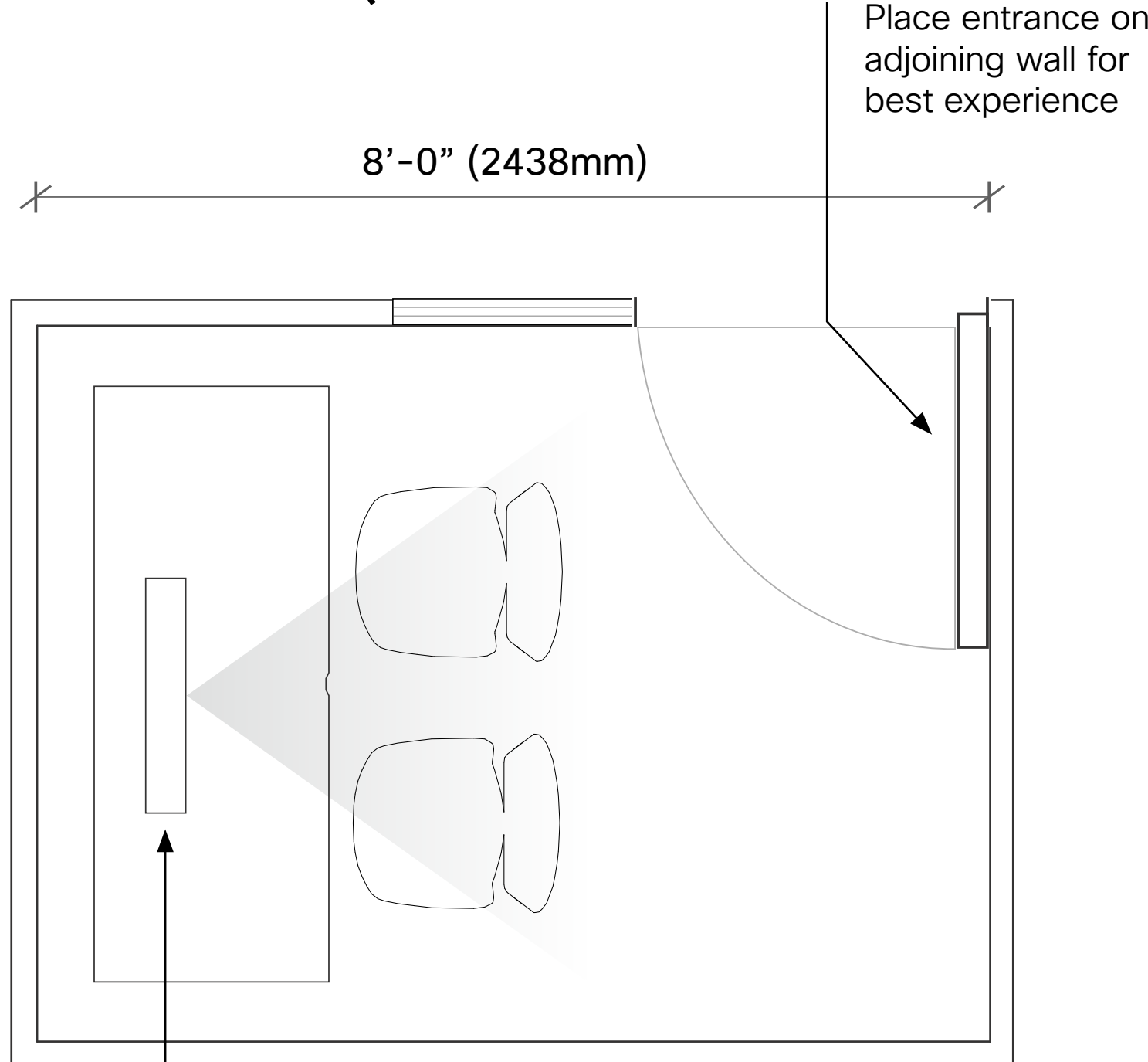


One-Person Quiet Room



Cisco Desk Pro (71° Horizontal FoV)

Two-Person Quiet Room



Cisco Desk Pro (71° Horizontal FoV)

Note: Optimal size is nominal 8'x6' (2438mm x 1829mm), with a 5' (1524mm) table, 1 person room can go to 7'x5' (2134mm x 1524mm) with a 4' (1291mm) table if needed

Traditional Huddle Room

Overview



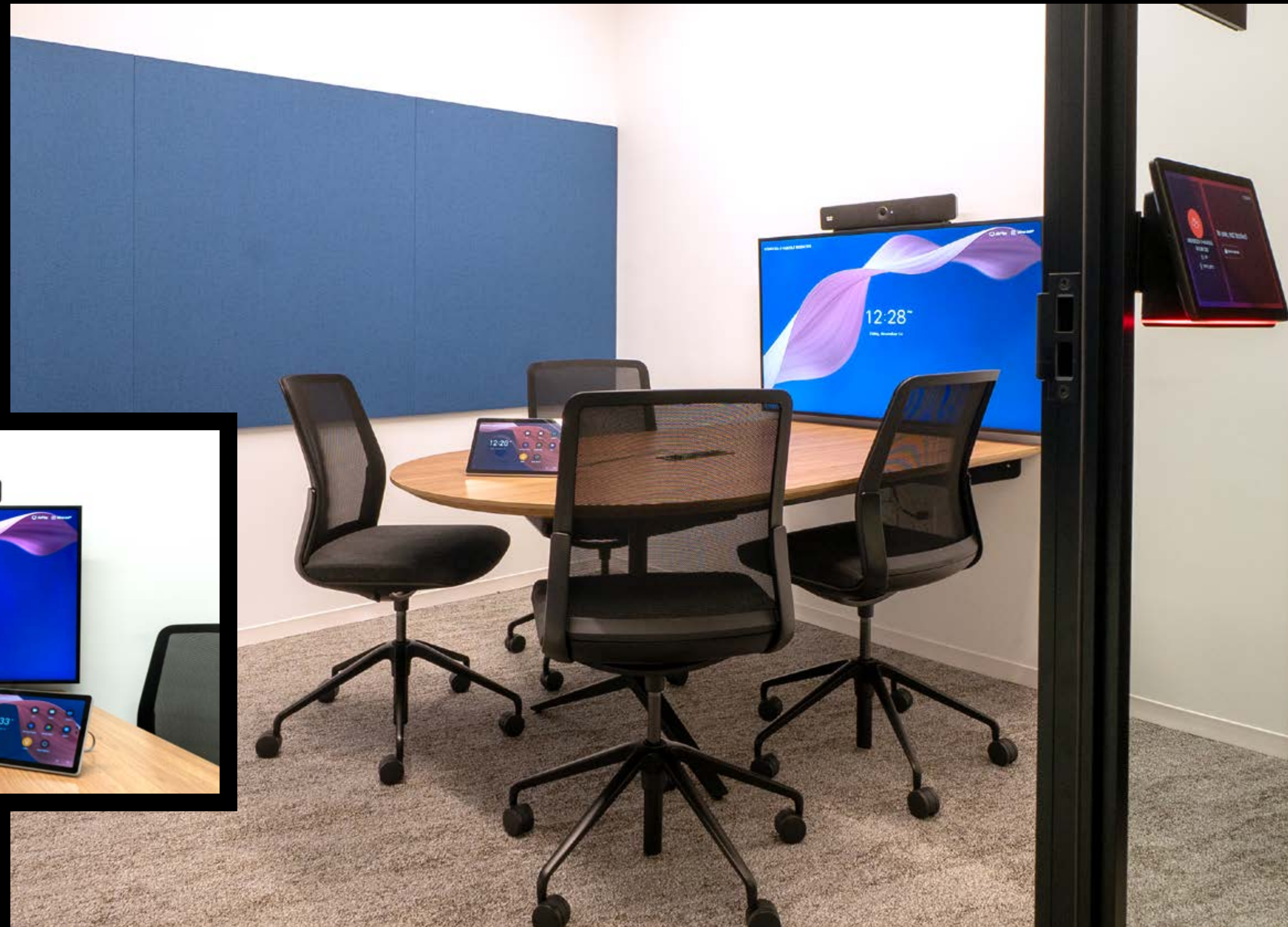
Making it easy for small groups to come together to share information, brainstorm, and solve problems is absolutely critical.

In the new DC Wharf office, we've replaced personal offices with an abundance of huddle rooms and smaller collaboration spaces, each designed for this exact purpose. All of these spaces are video-enabled, ensuring the right resources can come together, regardless of where they're working.

The Traditional Huddle Room is a superb space for small-group collaboration, especially when you need to bring in an essential remote participant. Wireless sharing lets you display content effortlessly in both local and virtual meetings.

Features

- Cisco Room Bar
- Single 50" display (LG, Panasonic, Samsung, or Sony)
- Nienkamper Gateway Table (D Shaped)
- Stylex F4 Swivel Meeting Chair



Traditional Huddle Room

Components

CISCO

PAGE
20 / 49

Cisco Room Bar



CISCO

Single 50" Display

(LG, Panasonic, Samsung, or Sony)



LG Panasonic SAMSUNG SONY

Stylex F4 Swivel Meeting Chair



Seatpad
Upholstered Seat Camira Main Line Flax

Backrest
Mesh Back

Base Frame
Matte Black

STYLEX

Nienkamper Gateway Table (D-Shape)

Laminate top
Taper edge on 3 sides and self edge on wall mounted side, New Age Oak finish

Base
Black Jack
60" W X 28.5" H X 42" D
(1524mm W X 724mm H X 1067mm D)



Power Forum finish
Black



nienkämper

Traditional Huddle Room

Room Layout

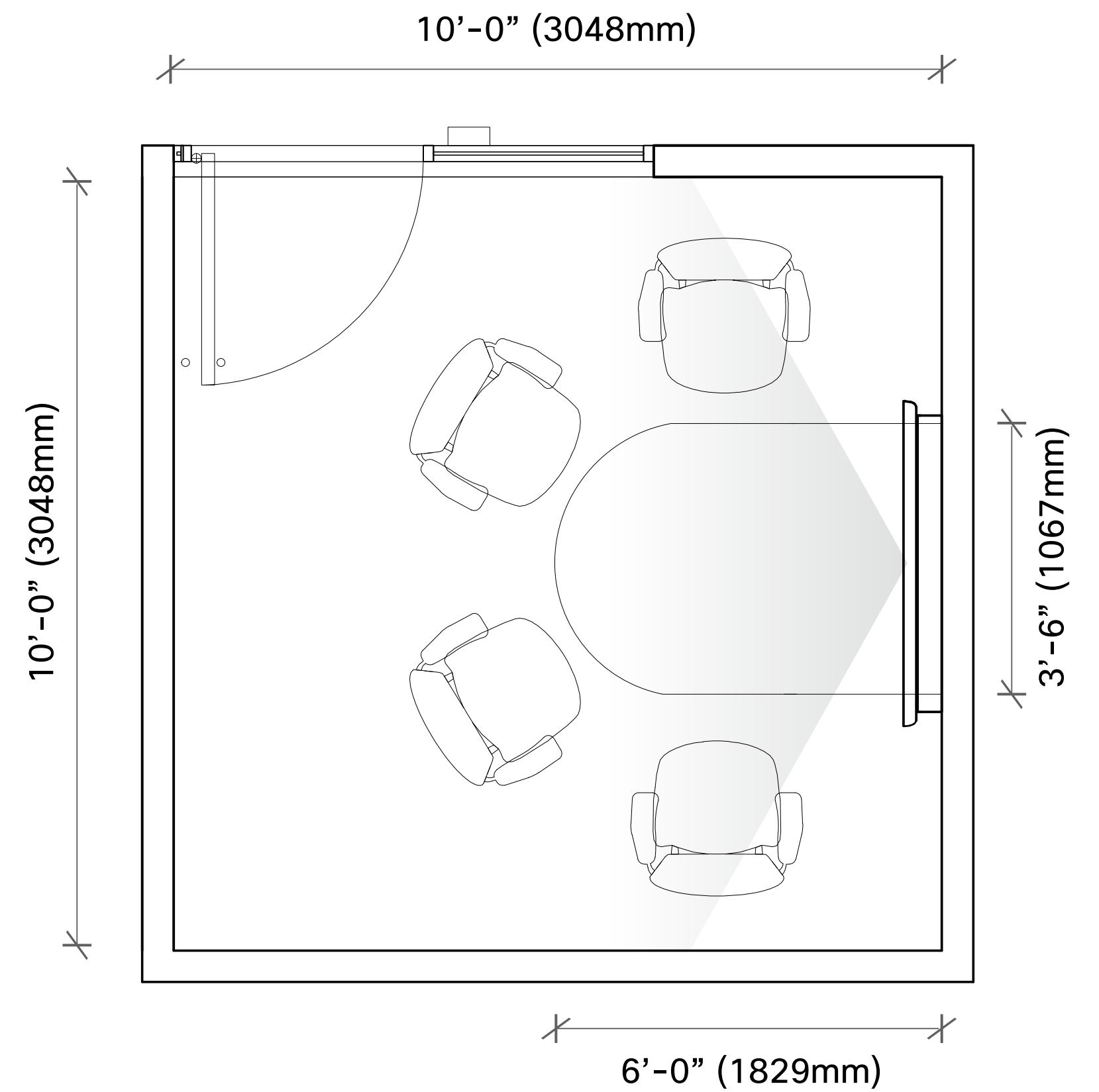


CISCO

PAGE
21 / 49

10' x 10' (3048mm x 3048mm)

Optimal (4-Chairs)



Note: Floor plan depicts suggested nominal size.

Casual Huddle Room

Overview



The Casual Huddle is designed specifically for informal meetings with colleagues, even when some of those colleagues are remote.

The soft seat is lightweight and highly flexible, allowing the space to adapt to any and all needs. The space can be deployed as an enclosed room or an open-plan space. In addition, there are two technology options: a Cisco Room Bar for a video-centric experience, or a Cisco Board Pro for co-creation.

Features

- Cisco Board Pro 55 on a Salamander EZ Touch Wall Mount
- Stylex Two-seater Sofa
- Bernhardt Chiara Lounge Chair
- Bernhardt Mitt Lounge Chair
- Teknion Cosi Laptop Table



Casual Huddle Room

Components - Option 1



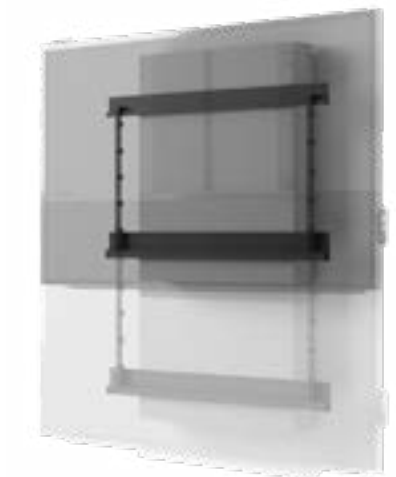
CISCO

Cisco Board Pro 55



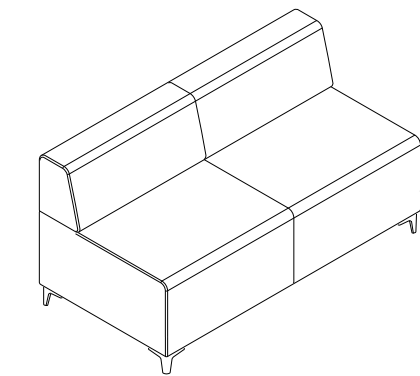
CISCO

Salamander EZ Touch Adjustable Mount



SALAMANDER
DESIGNS

Stylex Share
2 Seater



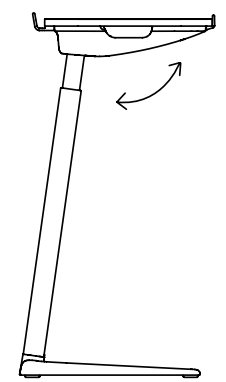
STYLEX

Bernhardt Chiara



BERNHARDT | design

Teknion Cosi Laptop Table



teknion

Casual Huddle Room

Components - Option 2



CISCO

Cisco Board Pro 55



CISCO

Salamander EZ Touch Adjustable Mount



SALAMANDER
DESIGNS

Bernhardt Mitt Lounge Chair



BERNHARDT | design

Teknion Cosi Laptop Table



teknion

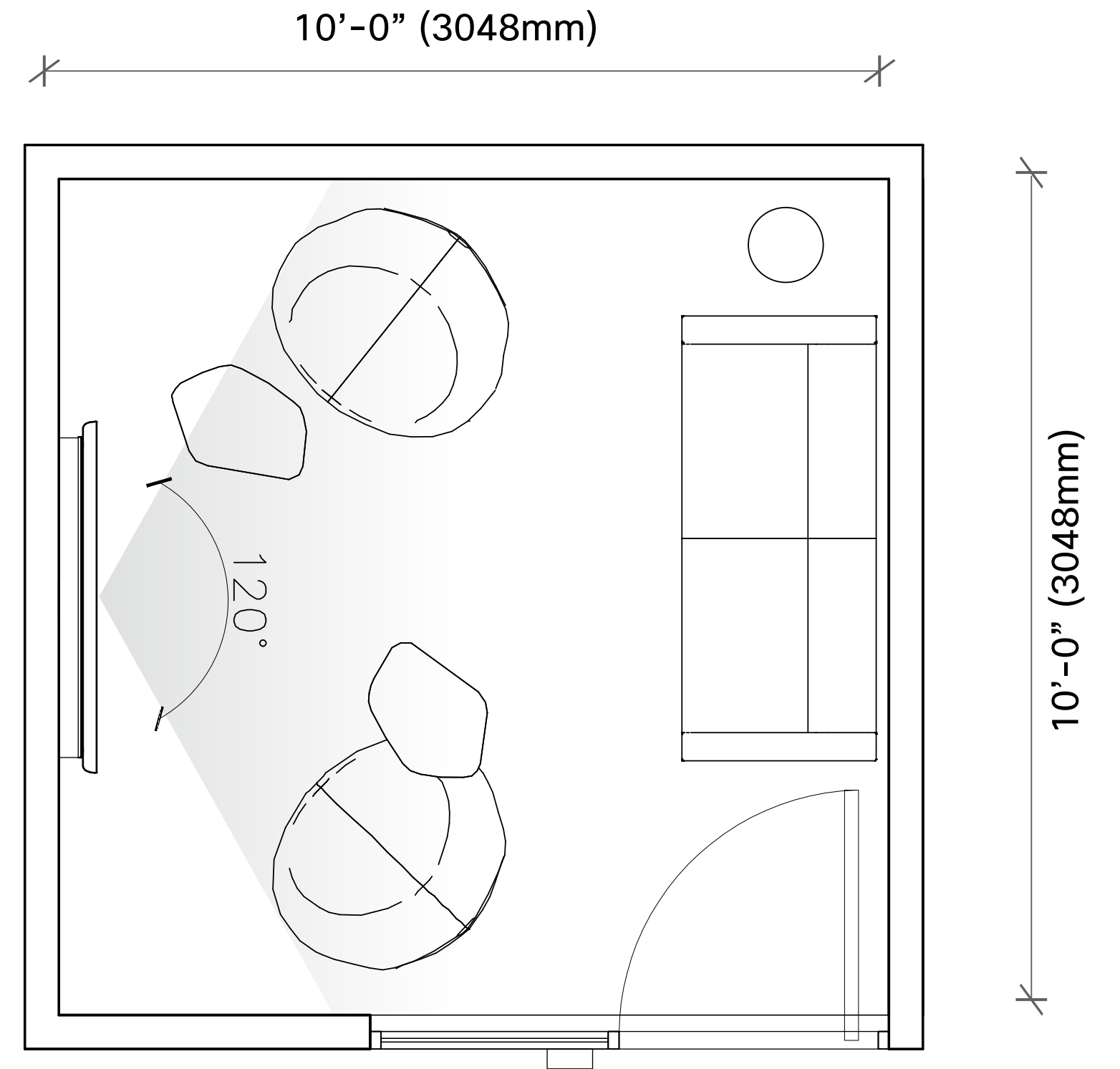
Casual Huddle Room

Room Layout



CISCO

PAGE
25 / 49



Note: Floor plan depicts suggested nominal size.

Brainstorming Huddle Room

Overview



A perfect space for an ad-hoc brainstorming session or when you want to co-create with a colleague on an important project.

The Salamander EZ Touch Wall Mount makes the space entirely flexible, allowing you to raise the Cisco Board Pro 55 for whiteboarding or lower it for a video call while seated at the table.

Features

- Cisco Board Pro 55
- Herman Miller Eames Round Meeting Table
- Stylex F4 Swivel Meeting Chair
- Salamander EZ Touch Wall Mount



Brainstorming Huddle Room

Components

CISCO



Stylex F4 Swivel Meeting Chair



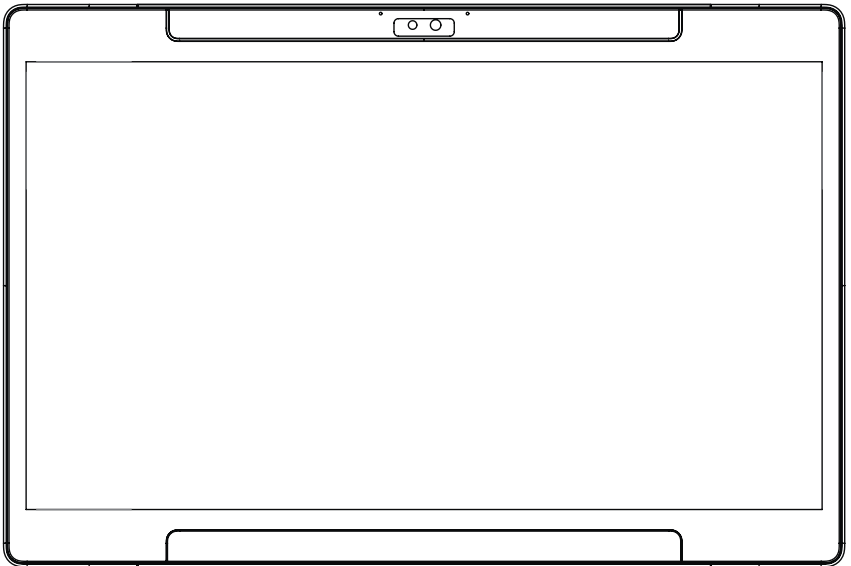
Seatpad Upholstered Seat Camira Main Line Flax



Backrest Mesh Back Base Frame Matte Black

STYLEX

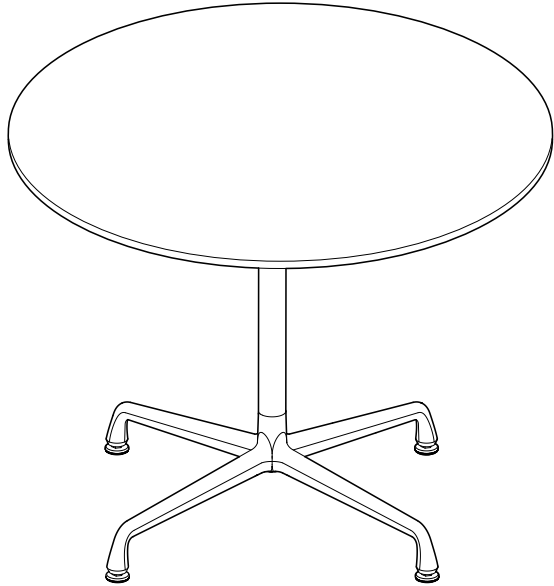
Cisco Board Pro 55



CISCO

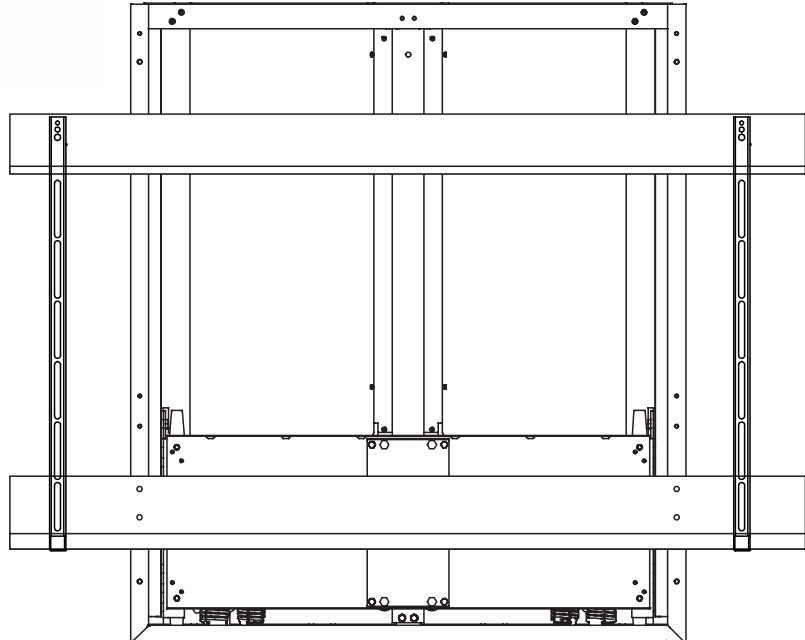
Herman Miller Eames Round Table

Top Oak Base Polished Aluminum



HermanMiller

Salamander EZTouch Mount



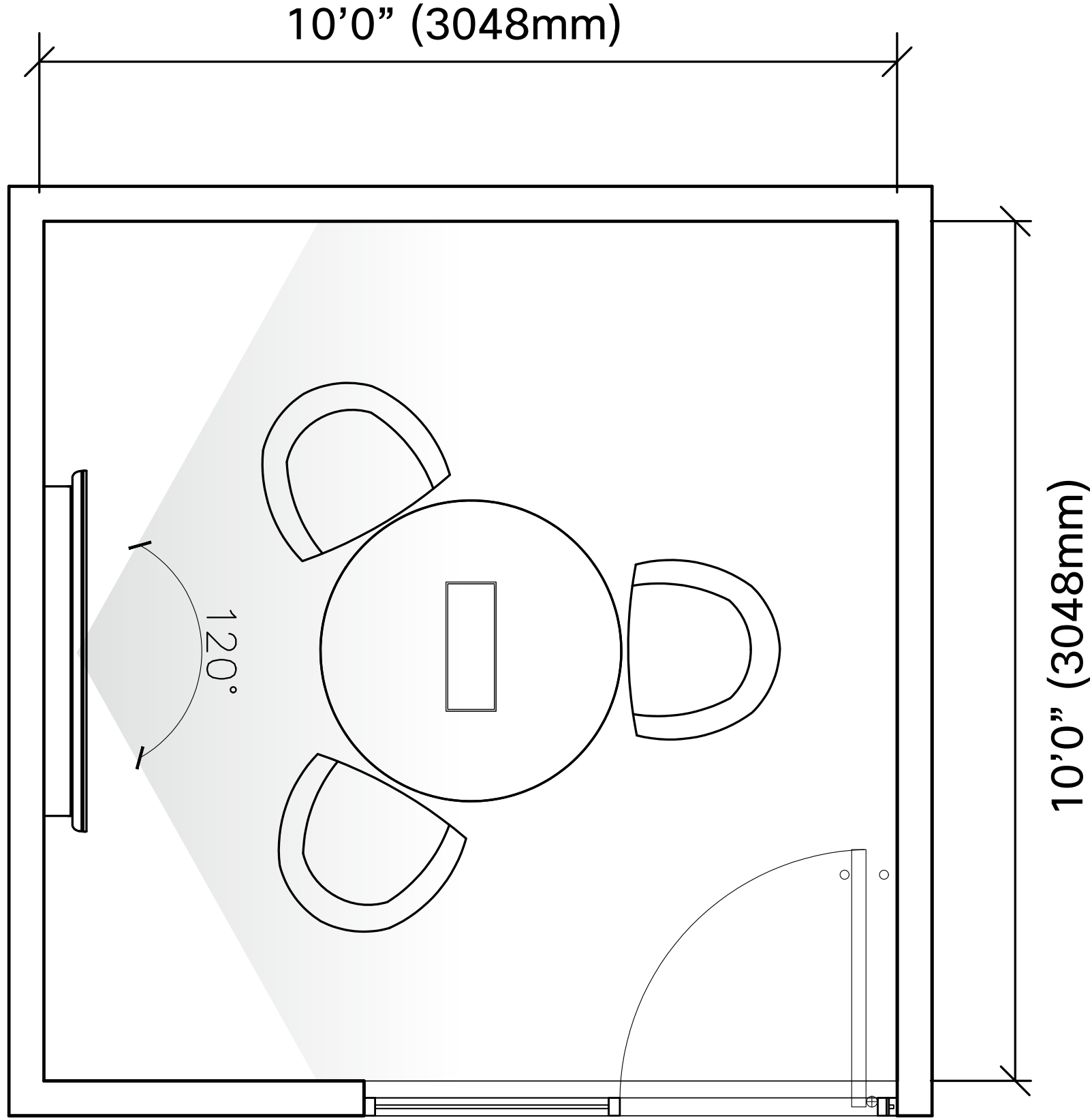
SALAMANDER DESIGNS

Brainstorming Huddle Room

Room Layout



CISCO



Note: Floor plan depicts suggested nominal size.

Small Collaboration Room

Overview



Small groups get work done. These small collaboration rooms are great spaces to bring in-person and remote colleagues together. The 120° field of view of the Cisco Room Bar ensures everyone is in view.

Features

- Cisco Room Bar
- Single 55" Display (LG, Panasonic, Samsung, or Sony)
- Neinkamper Gateway Table
- Humanscale Boss Ola Chair



Small Collaboration Room

Components

CISCO

PAGE
30 / 49

Cisco Room Bar



CISCO

Single 55" display
(LG, Panasonic, Samsung, or Sony)

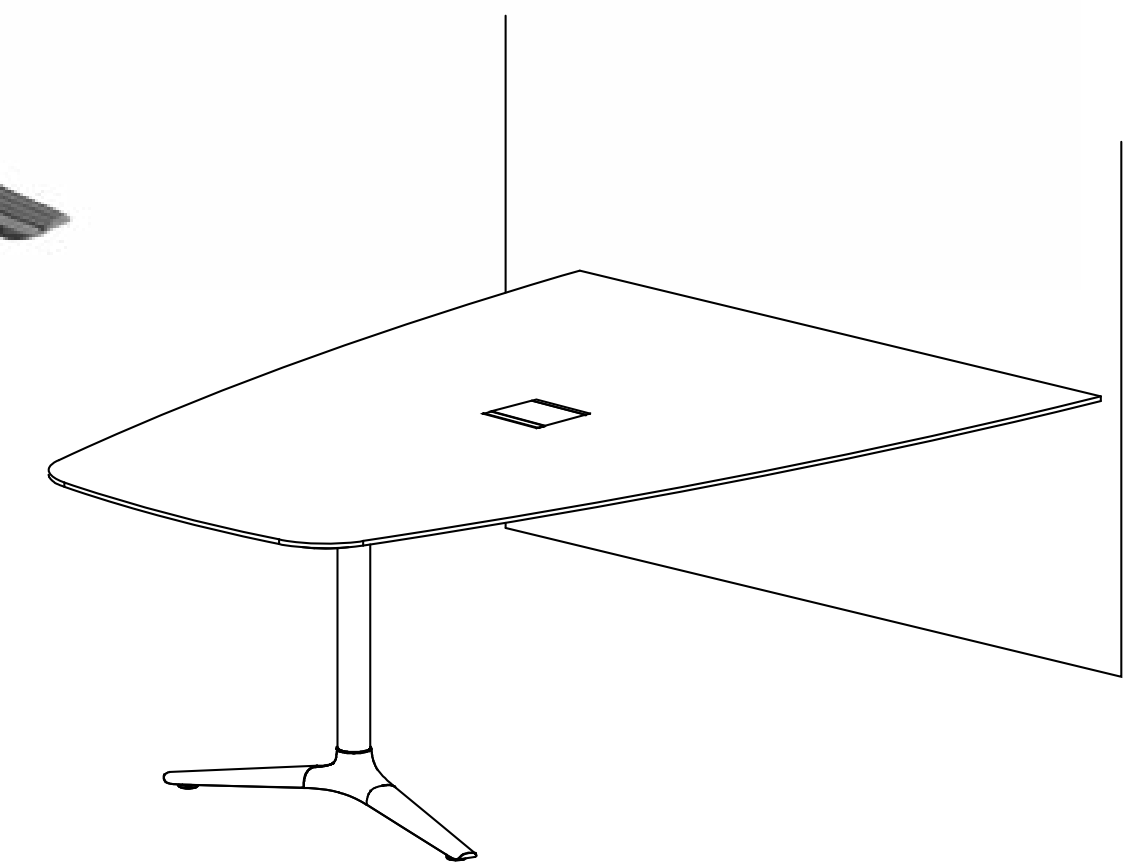


LG Panasonic SAMSUNG SONY

Nienkamper Gateway Wall Mounted Table

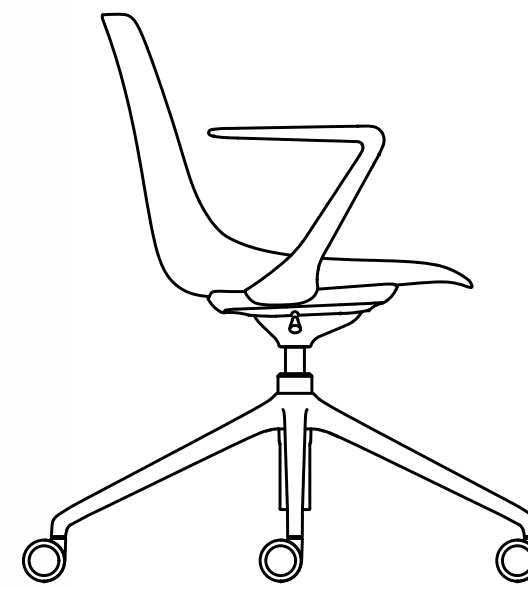


Table with Bullet Shaped Top
 Wood finish top
 Plastic Laminate Oak
 Leg finish
 Black
 48"W x 72"L x 29"H
 (1219mm W x 1905mm L x 737mm H)
 Power
 1 6-Port Custom Simple Forum

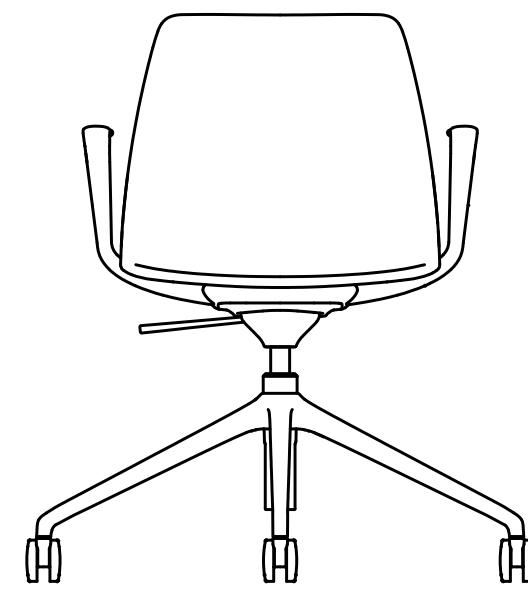


nienkämper

Boss Ola Chair



Seat Upholstery
Camira Main Line Flax



Base
Black

boss

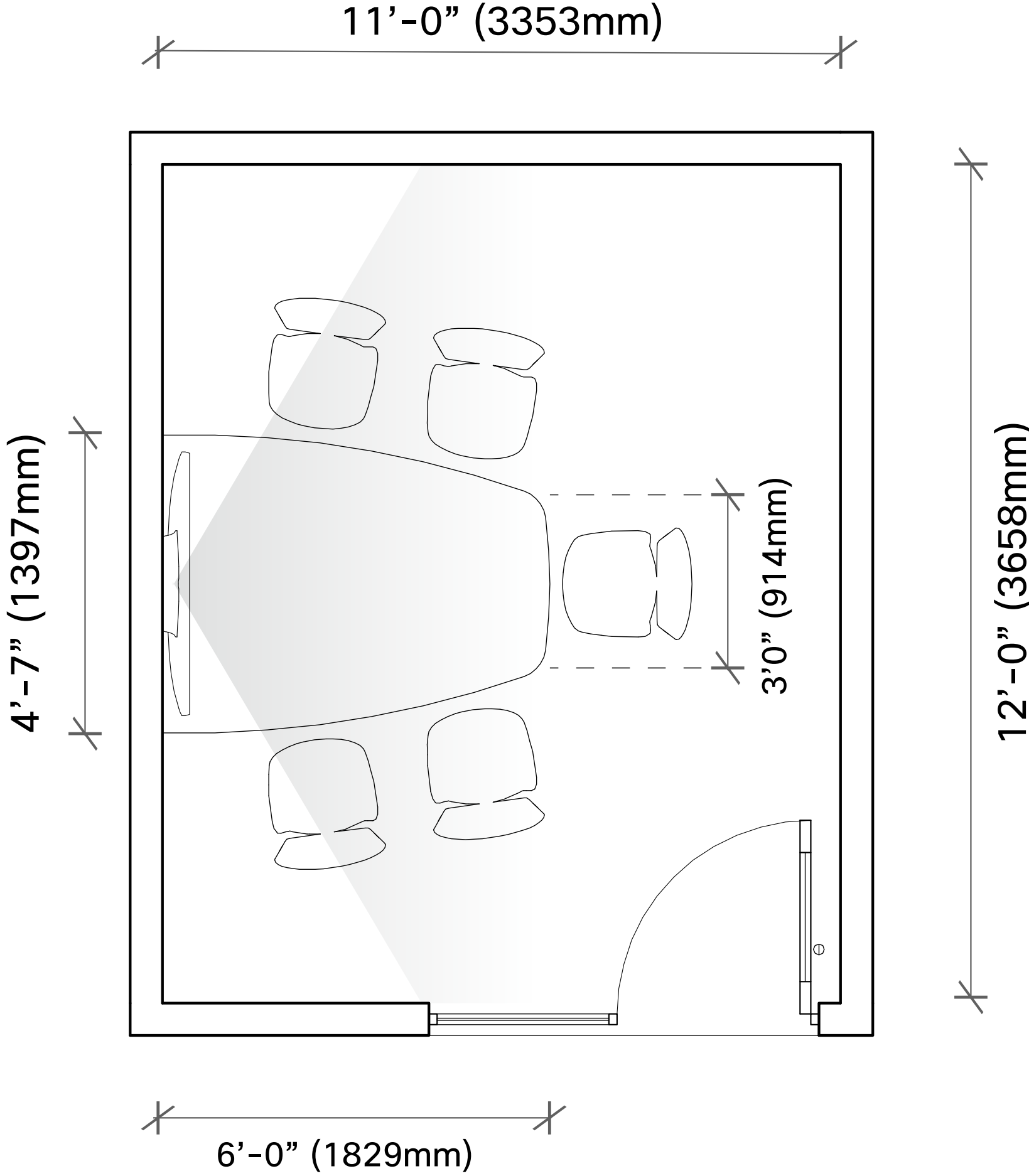
Small Collaboration Room

Room Layout



CISCO

PAGE
31 / 49



Note: Floor plan depicts suggested nominal size.

Small Collaboration Room – Video Centric Overview



The video-centric collaboration room is ideal for decision-making meetings.

The horizontally oriented, guitar-pick-shaped table creates the effect of everyone sitting around a table. A Cisco Room Bar Pro, with its 112° field of view, along with dual 55" displays, ensures that remote participants, as well as content, can be seen by all.

Features

- Cisco Room Bar Pro with dual 65" displays
- Cisco Room Navigator for Table
- Nienkamper Custom "Guitar Pick" Shaped Table
- Herman Miller Eames Soft Pad Chair Management-With Arms

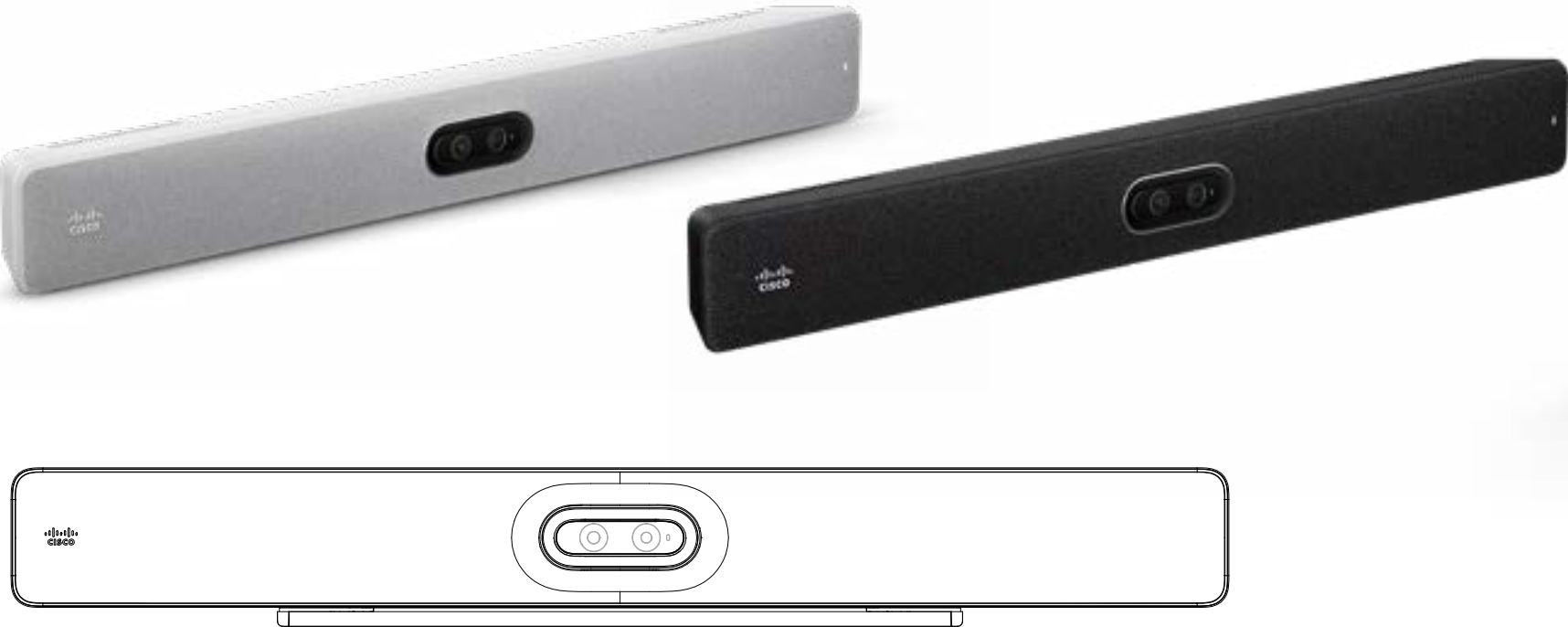


Small Collaboration Room - Video Centric

Components

CISCO

Cisco Room Bar Pro



Cisco Room Navigator for Table



CISCO

Herman Miller Eames Soft Pad Chair Management-With Arms



Seat / Back
White Leather

Frames / Arms
Polished Aluminum

HermanMiller

Dual 65" Displays

(LG, Panasonic, Samsung, or Sony)



LG Panasonic SAMSUNG SONY

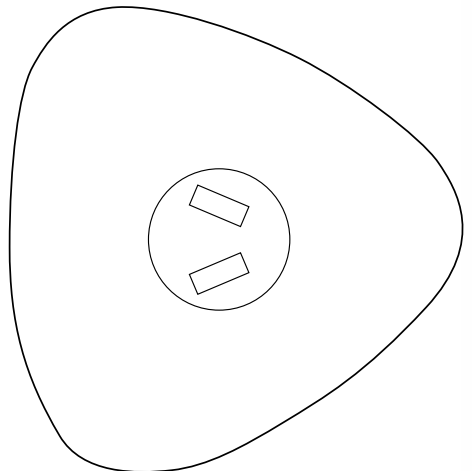
Nienkamper Custom "Guitar Pick" Shaped Table

Finish
Wilsonart Jubilee Oak

Base
Powder Coated: Black

90"L x 36"W (narrow end) and
93"W (wide end) x 29"H

(2286mm L x 914mm W (narrow end) and
2362mm W (wide end) x 737mm H)

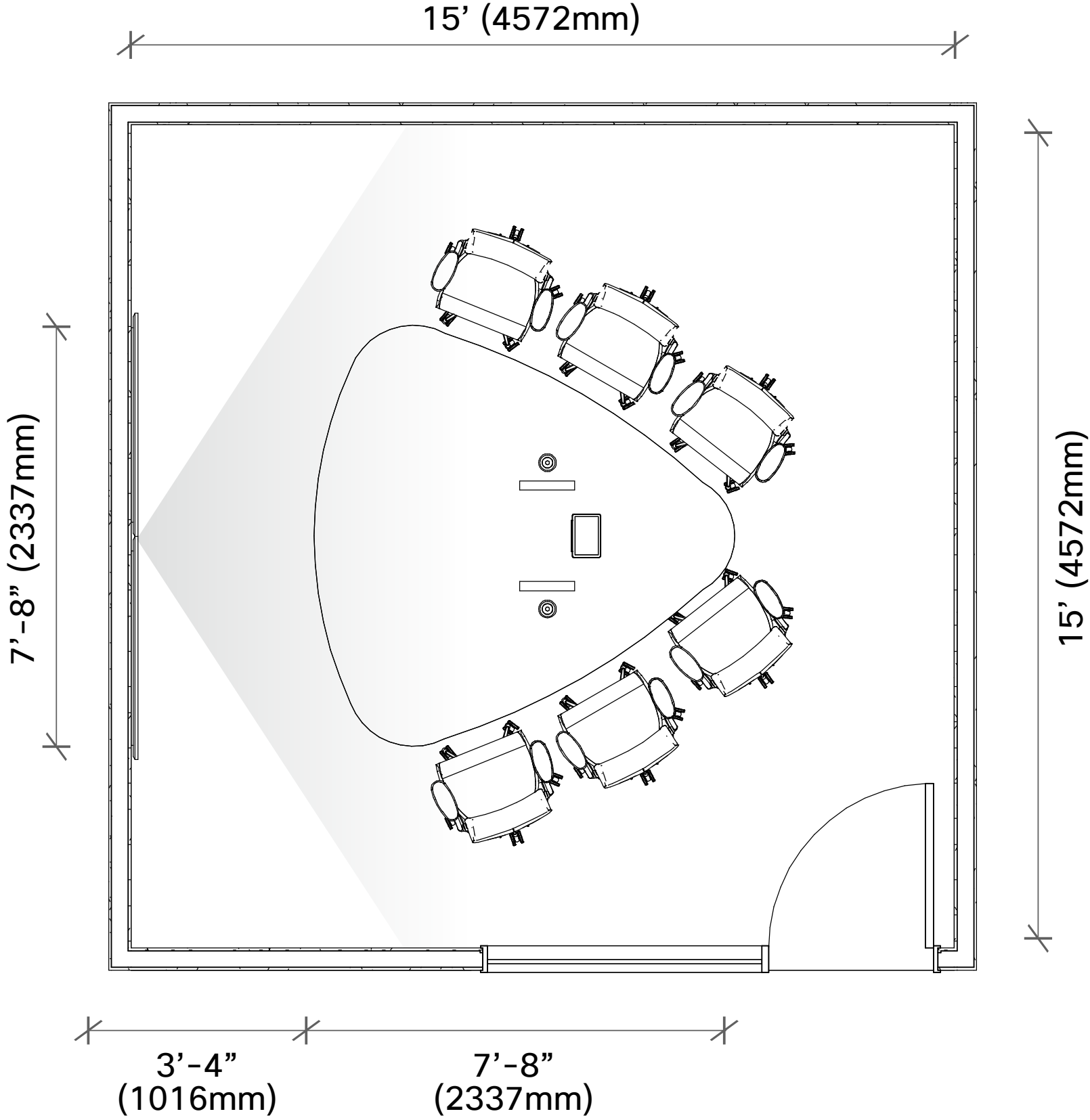


nienkamper

Small Collaboration Room - Video Centric

Room Layout

CISCO



Note: Floor plan depicts suggested nominal size.

Medium Collaboration Room - Video Centric

Overview



The video-centric collaboration room is perfect for decision-making meetings. The horizontally positioned table, leveraging the 112° field of view of the Cisco Room Bar Pro, creates the effect of everyone sitting around the table.

Features

- Cisco Room Bar Pro with dual 65" displays mounted on a Salamander Credenza
- Two (2) Cisco Table Microphone Pros (optional)
- Nienkamper Vox table
- Humanscale Freedom Task chairs

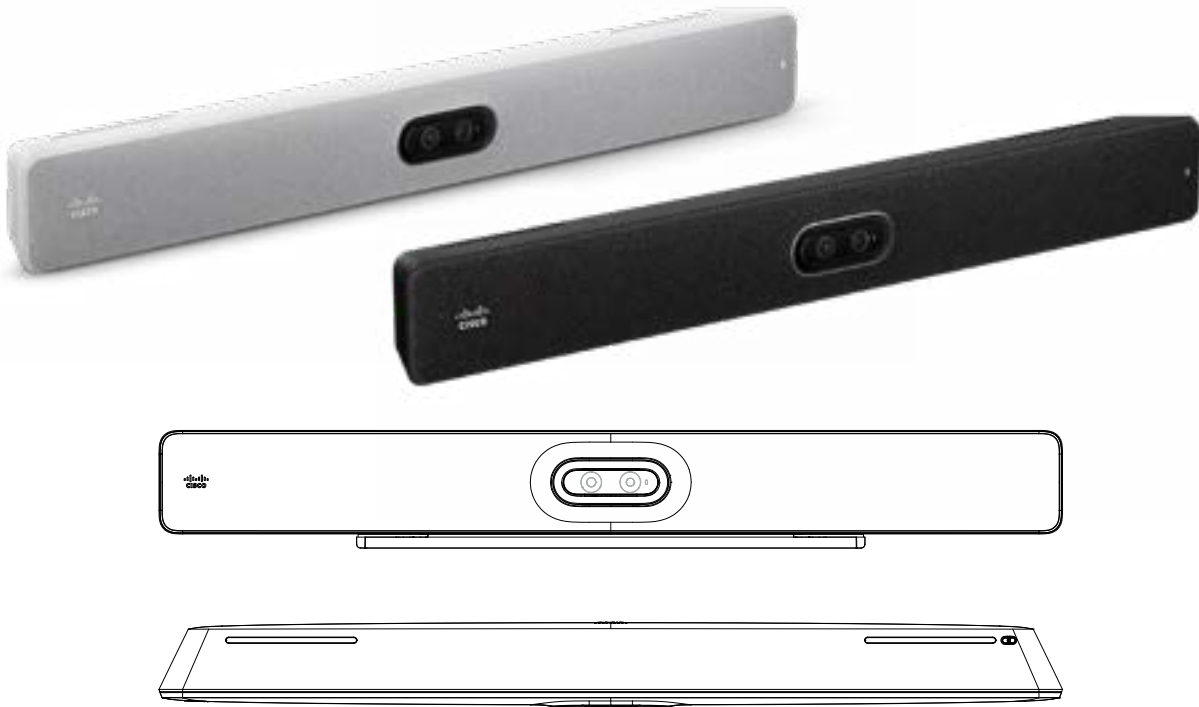


Medium Collaboration Room - Video Centric

CISCO

Components

Cisco Room Bar Pro



Cisco Table Microphone Pro



Cisco Room Navigator for Table



Dual 65" Displays

(LG, Panasonic, Samsung, or Sony)



CISCO

LG Panasonic SAMSUNG SONY



Humanscale Freedom Task Chair

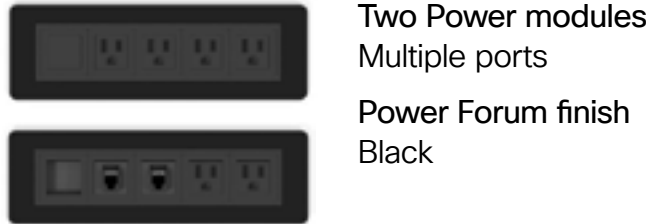
- Armrest/Armpad
Standard Duron Arms - Black
- Frame Color
Polished aluminum with Graphite Trim
- Seat Textile
Ticino (Chrome-Free Leather)
Color: Charcoal

Humanscale

Nienkamper Trapezoid Table with Duo Bases

Table: Trapezoid Shape and Laminate Top
Accessible Duo bases to conceal stub-up

Duo Bases
Laminate with anodized aluminum
108/120" L x 66" D x 28 1/2" H
(2743/3048mm L x 1676mm D x 724mm H)



nienkamper

Salamander Credenza

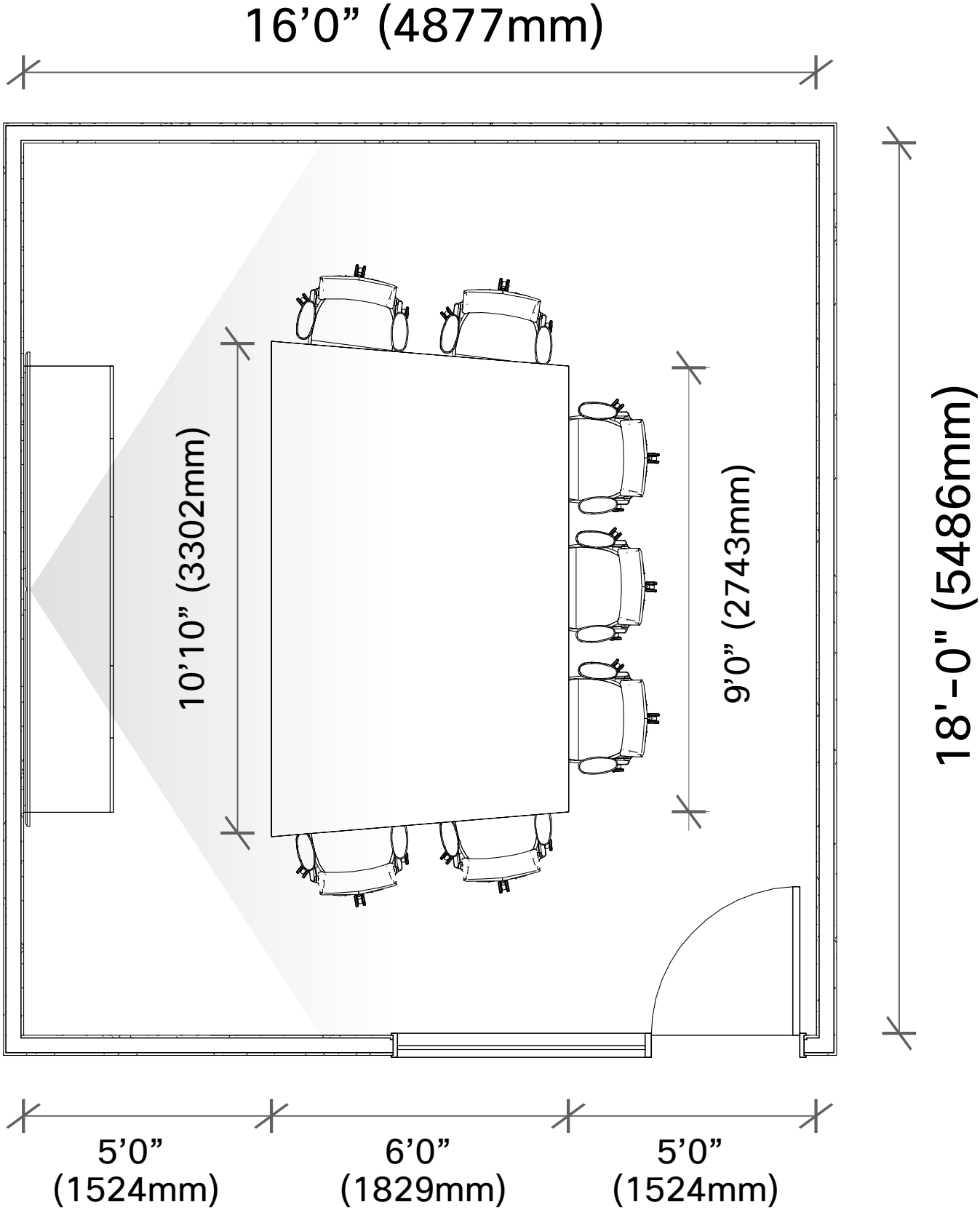


SALAMANDER
DESIGNS

Medium Collaboration Room - Video Centric

Room Layout

CISCO



Innovation Suite

Overview



A perfect space for a team meeting or when colleagues want to get together to share ideas.

In the DC Wharf office, there are two versions of this space: enclosed and open-plan. Regardless of which space employees choose to use, the informal setting, the mix of seating types, and varying postures provide choice, and the Cisco Board Pro 75 is the perfect multi-functional device for the space.

Level 2 Features

- Cisco Board Pro 75
- Stylex Free Address 2.0 Lounge
- Teknion Sprout Bar Stool
- Bernhardt Chiara Chair
- Blu Dot Circula Small Coffee Table
- Design Public Kave Square Side Table
- High Tower Kona Laptop Table

Level 3 Features

- Cisco Board Pro 75
- Stylex Free Address 2.0 Lounge
- Teknion Sprout Bar Stool
- Davis Rho Ottoman
- Teknion Cosi Laptop Table



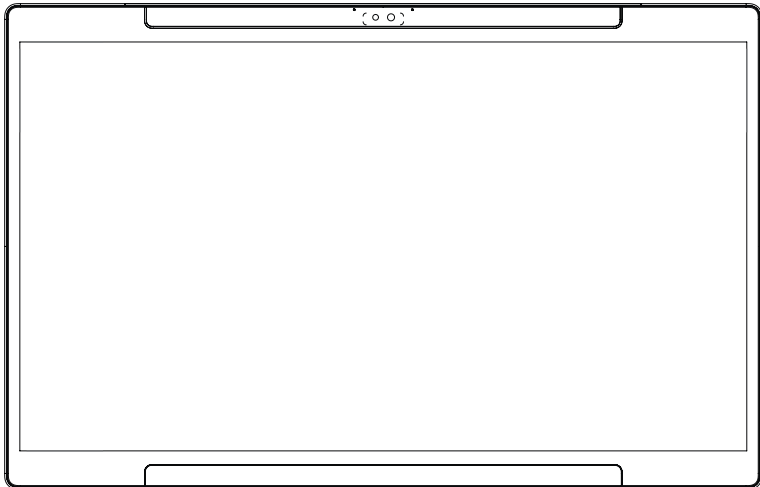
Level 2 Option Shown

Innovation Suite

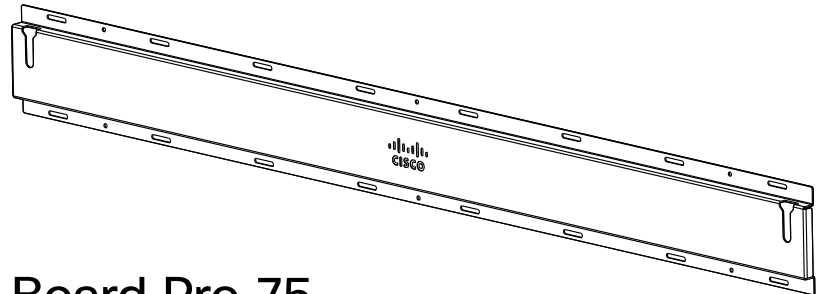
Components - Level 2

CISCO

Cisco Board Pro 75



Cisco Board Pro Wall Mounting Kit



Board Pro 75 Wall Mount Bracket

Hightower Kona Laptop Table with Tablet Holder



Top
Ash Veneer
Base
Gray
21" W X 26" H X 14" D
(534mm W x 660mm H x 356mm D)

CISCO

Hightower

Stylex Free Address 2.0 Lounge

Frame Finish
Black Matte
Seat Finish
Camira Main Line Twist - Yarn MLT04
Back Panel Finish
Camira Main Line Flax - Edgware MLF28
Ledge Top Finish
Black Laminate
Power (2)
Daisy Chair Under Mount Power - Simplex & Dual USB-C
36"H x 90"W x 45"D
(914mm H x 2286mm W x 1143mm D)
Ledge Top: 15"D (381mmD)



STYLEX

Teknion Sprout Bar Stool



Base
Matte Black
Seat Upholstery
Bernhardt Soft/Rust
Base Diameter
15.5" (394mm)
Seat Diameter
12.25" (311mm)
Seat Height
30" (762mm)

teknion

Bernhardt Chiara



BERNHARDT | design

Blu Dot Circula Coffee Table



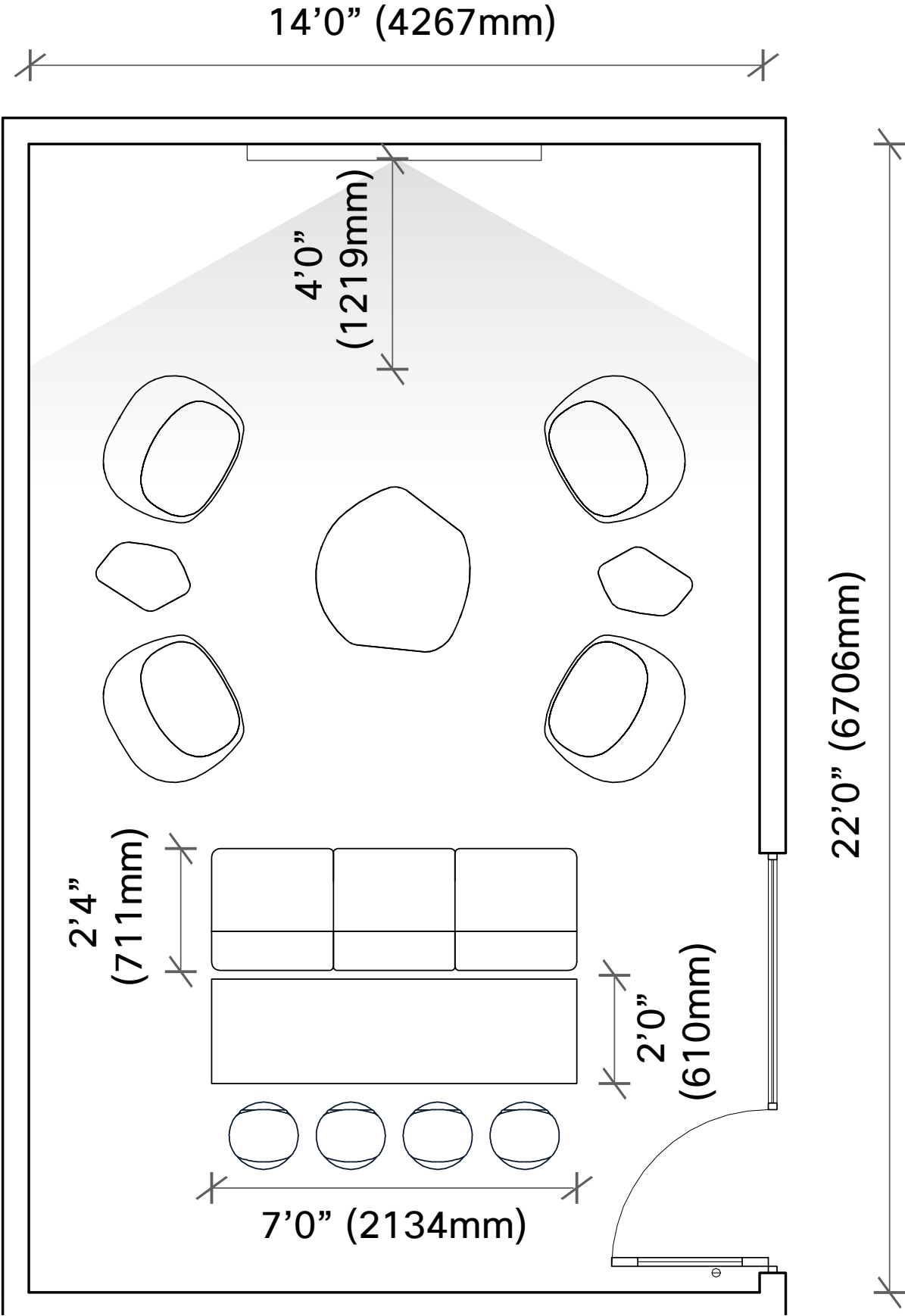
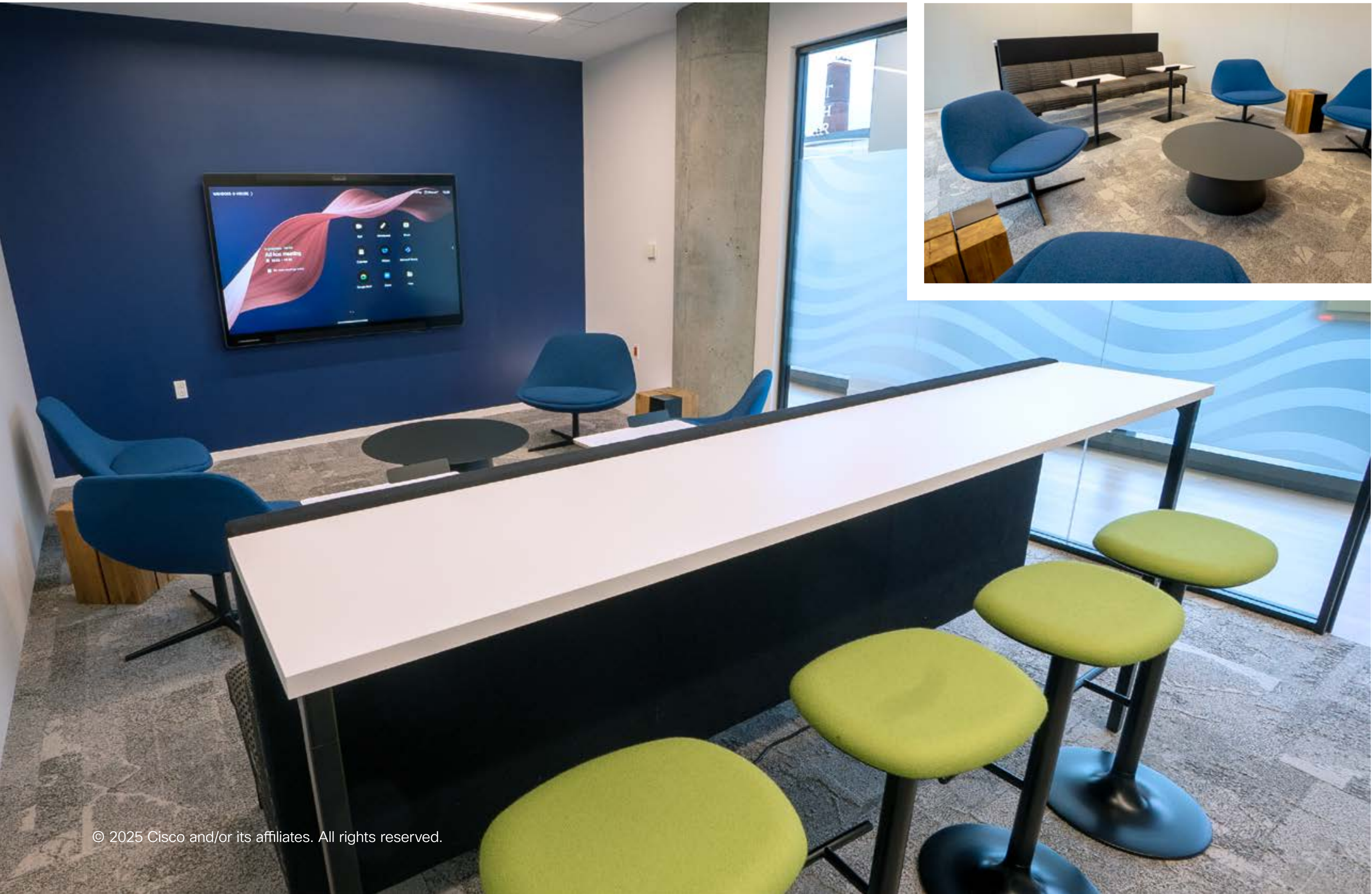
15"H x 36"W
(381mm H x 914mm W)

BLU DOT

Innovation Suite

Room Layout - Level 2

CISCO



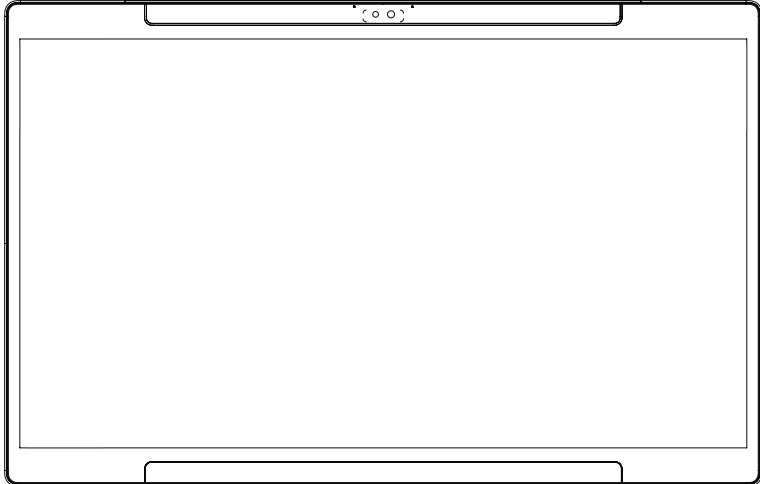
Note: Floor plans depict suggested nominal size.

Innovation Suite

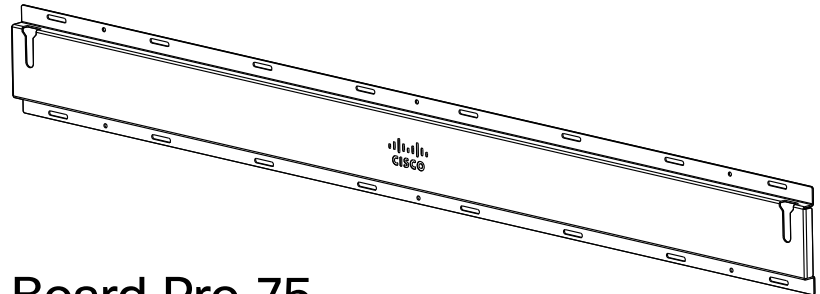
Components - Level 3

CISCO

Cisco Board Pro 75

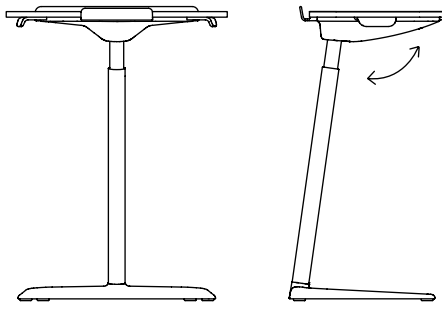


Cisco Board Pro Wall Mounting Kit



Board Pro 75 Wall Mount Bracket

Teknion Cosi Laptop Table



Worksurface
Black
Base
Black
22"W x 13.4"D x 25"-33"H
(559mm W x 340mm D x 635-838mm H)
Front Edge Lip, Device Stand with Wire Slot, Tilt Control and Height Adjustable



CISCO

teknion

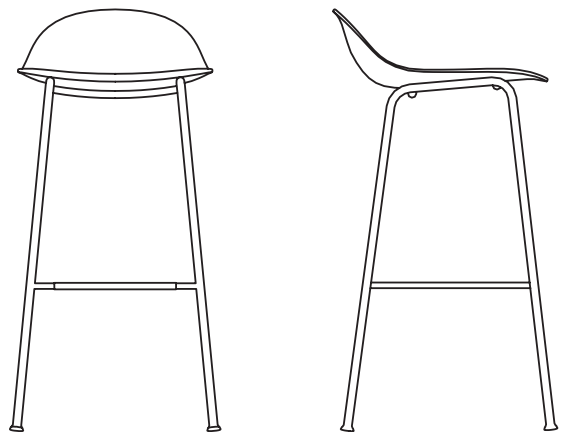
Stylex Free Address 2.0 Lounge

Frame Finish
Black Matte
Seat Finish
Camira Main Line Twist - Yarn MLT04
Back Panel Finish
Camira Main Line Flax - Edgware MLF28
Ledge Top Finish
Black Laminate
Power (2)
Daisy Chair Under Mount Power - Simplex & Dual USB-C
36"H x 90"W x 45"D
(914mm H x 2286mm W x 1143mm D)
Ledge Top: 15"D (381mmD)



STYLEX

Allemuir Kin Bar Stool



18"W x 17.5"D x 34.75"H
(457mm W x 445mm D x 883mm H)

Allemuir

Davis Rho Ottoman



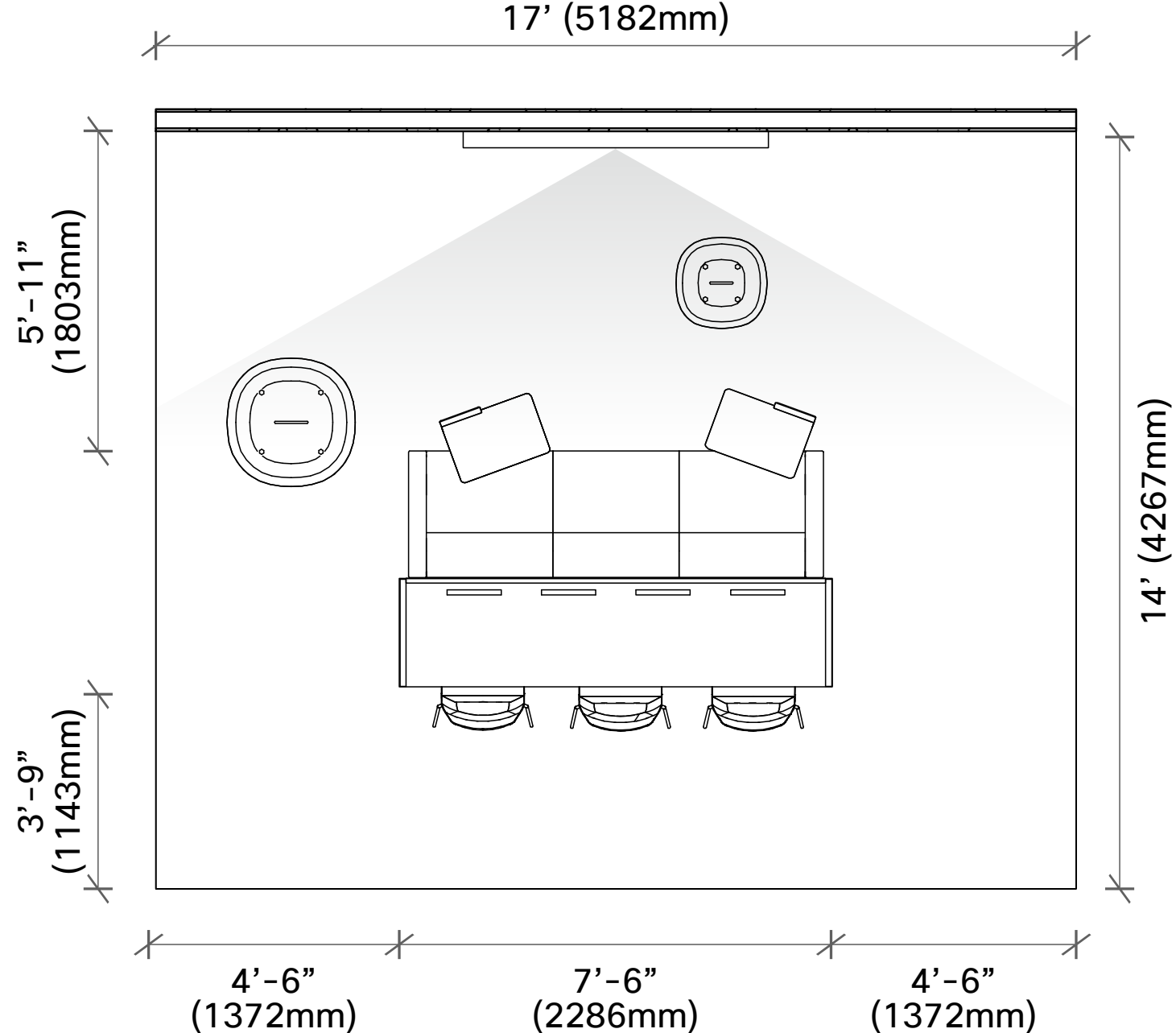
Upholstery
Anzea Intertwine/Pen and Ink
Open Chain Stitch Thread
Black
28"W x 17.5"H
(722mm W x 445mm H)

DAVIS

Innovation Suite

Room Layout - Level 3

CISCO



Note: Floor plans depict suggested nominal size.

Large Collaboration Room

Overview



The perfect space to bring people together for knowledge-sharing or decision-making activities.

Leveraging Cisco's flagship device for large meeting spaces, the Room Kit EQX is a fully integrated collaboration solution that eliminates the need for any third-party components. Dual 75" displays in the front of the room provide ample screen space for both in-person and remote participants, and when combined with Cisco's AI-powered camera intelligence, everyone is assured to have an unobstructed view of both in-person and remote participants.

In addition, two (2) Cisco Room Vision PTZ Cameras support Cisco's Cross-view capability. Cross-view is an AI-driven feature that analyzes room activity, recognizes speaker(s), tracks where people are facing, and automatically selects the optimal camera angle to ensure remote attendees get the best view.



Features

- A Cisco Room Kit EQX, deployed on a Cisco Room Kit EQX Wall Stand, with dual 75" displays
- Two (2) side-mounted Cisco Room Vision PTZ Cameras
- Two (2) Cisco Ceiling Microphone Pros
- Custom Uhuru Minim Table
- Herman Miller Eames Aluminum Group Chair-Executive

Large Collaboration Room

Components

CISCO

Cisco Room Kit EQX with Wall Stand



Cisco Room Navigator for Table



Cisco Room Vision PTZ Camera Premium pan-tilt-zoom



Cisco Ceiling Microphone Pro



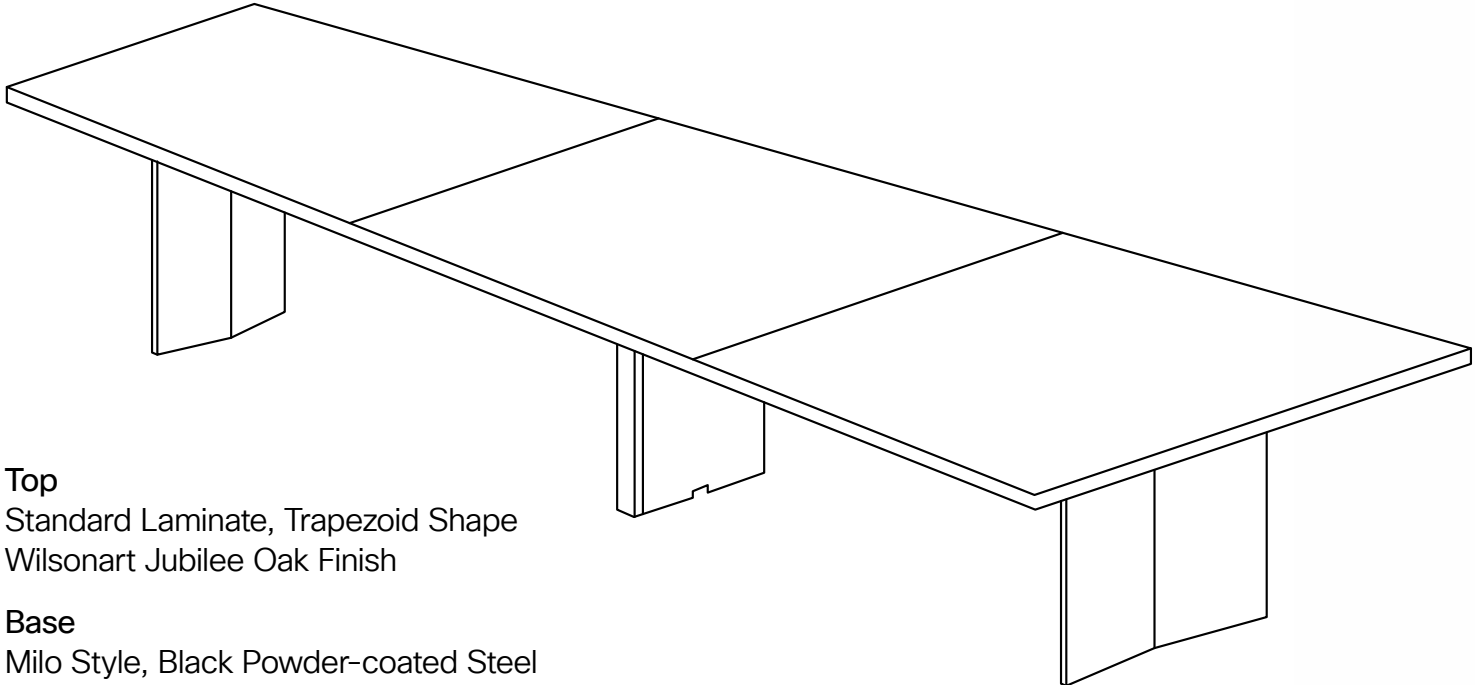
CISCO

Dual 75" Displays

(LG, Panasonic, Samsung, or Sony)



Custom Uhuru Minim Table



Top
Standard Laminate, Trapezoid Shape
Wilsonart Jubilee Oak Finish

Base
Milo Style, Black Powder-coated Steel

198"L x 48 / 84"D x 29"H
(5029mm L x 1219/2134mm D 737mm H)

U H U R U

Herman Miller Eames Aluminum Group Chair-Executive



Seat / Back
White Leather



Frames / Arms
Polished Aluminum

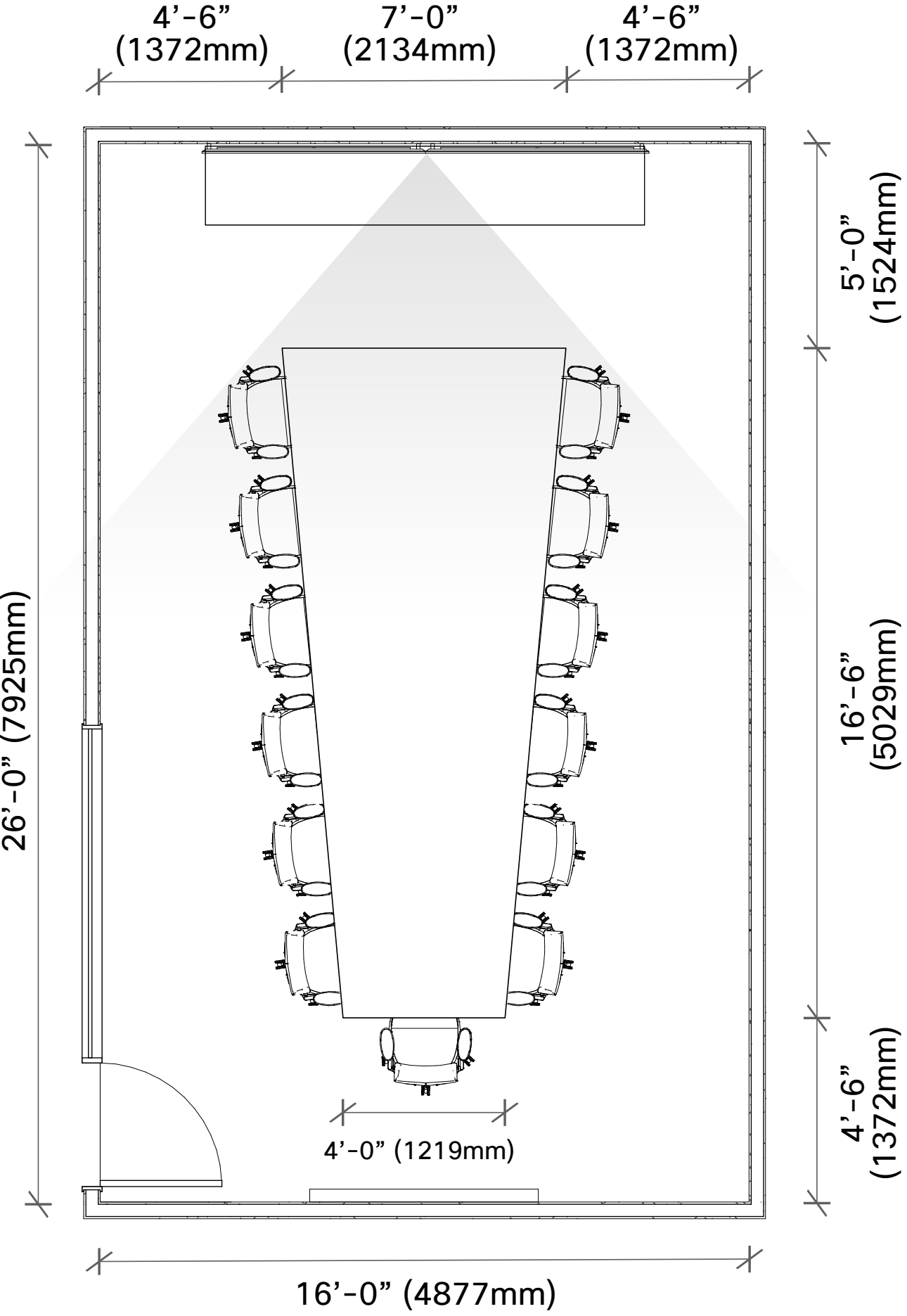
HermanMiller



Large Collaboration Room

Room Layout

CISCO



Note: Suggested minimal dimensions would preferably be 29'-0" x 19'-0"

Training Room

Overview



Designed to deliver true hybrid learning events, this training room leverages two large displays, multiple cameras, and a Cisco Device feature called “Classroom Mode” to provide an unparalleled experience for all participants.

A Cisco Collaboration device feature called “PresenterTrack” uses the rear-mounted Cisco Room Vision PTZ Camera, which can be used in briefing, training, and classroom settings to automatically track and frame a presenter moving across the front of the room, providing a more natural and engaging view for remote participants.

Features

- Cisco Room Kit Pro with Dual 98” Displays (LG, Panasonic, Samsung, or Sony)
- Cisco Ceiling Microphones
- Rear mounted Cisco Room Vision PTZ Camera
- Rear mounted 65” display
- Third-party 6.5” ceiling speakers and amplifier
- Wall mounted Cisco Board Pro 75
- Teknion Expansion Training tables
- Humanscale Stackable Cinto chairs



Training Room Components

CISCO

Cisco Board Pro 75
with Floor Stand and Wheel Upgrade Kit



Cisco Room Kit Codec Pro



Cisco Ceiling Microphone Pro



Cisco Room Vision PTZ
Premium pan-tilt-zoom



Dual 98" Displays



(LG, Panasonic, Samsung, or Sony)

CISCO

LG Panasonic SAMSUNG SONY

Teknion Expansion Training table



Teknion Expansion Learning Lectern Podium

Power and Data
Front Laminate Color
Black
Case: Plastic Laminate
2K Pecan Reflect
Metal Shelf and Cupholder
Black
22"W x 27"D x 47.5"H
(559mm W x 686mm D x 1207mm H)



teknion

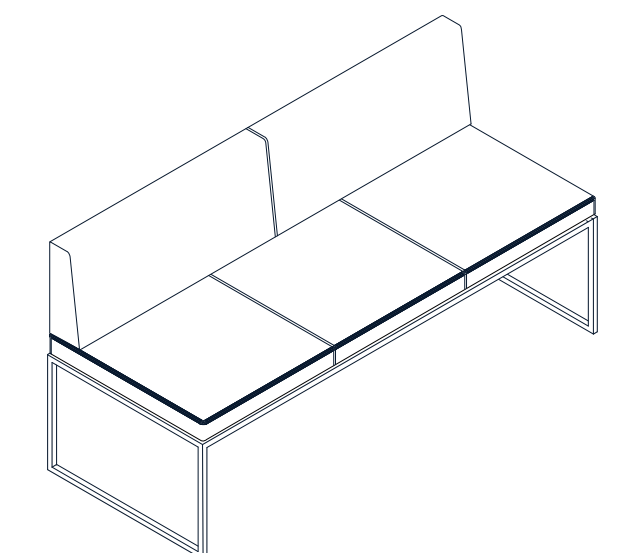
Humanscale Cinto Stackable Chairs



Style
Four Legs, Casters
Arms
Fixed Arms - Black
Frame Color
Black
Backrest, Seat Pan Color
Blue
Seat Pad:
Fourtis grade 1 textile;
Color: Hyacinth

Humanscale

Davis Bench with Back



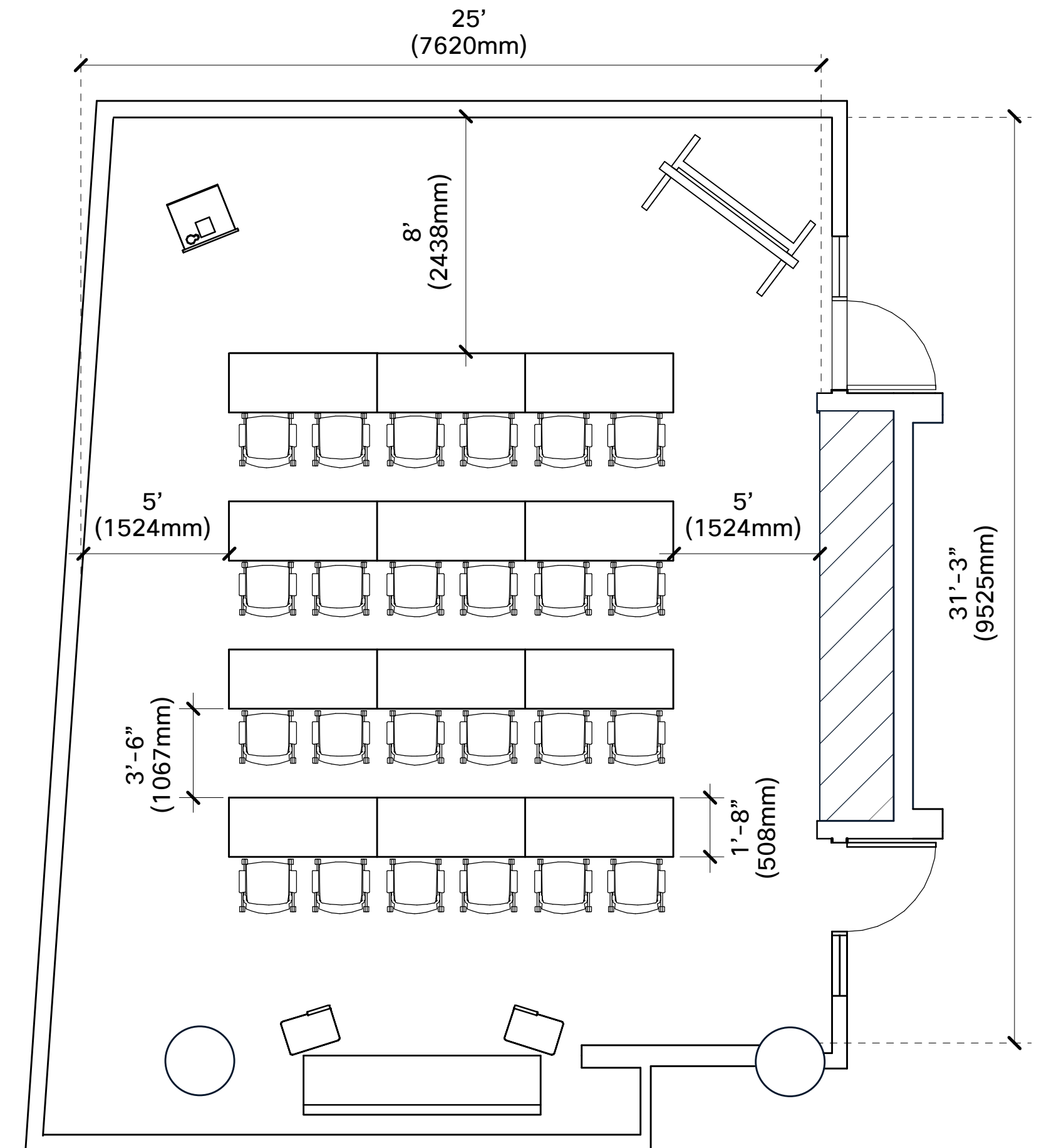
DAVIS

Training Room

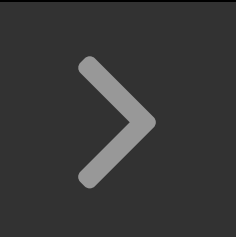
Room Layout

CISCO

PAGE
48 / 49



Note: Floor plan depicts suggested nominal sizes/setbacks.



Resources

[Cisco.com](#)

[Cisco Workspaces](#)

[Best Practices for Creating Effective Video-enabled Rooms](#)

© 2025 Cisco and/or its affiliates. All rights reserved. Cisco, the Cisco logo, Webex by Cisco, and Webex are trademarks or registered trademarks of Cisco and/or its affiliates in the U.S. and other countries. To view a list of Cisco trademarks, see the Trademarks page on the Cisco website. Third-party trademarks mentioned are the property of their respective owners. The use of the word "partner" does not imply a partnership relationship between Cisco and any other company. (2106R)

The intent of this document is to highlight the details, components and partners used in the creation of ATL Tech Square. Any reference herein to any specific commercial products or service does not necessarily constitute or imply its endorsement or recommendation.